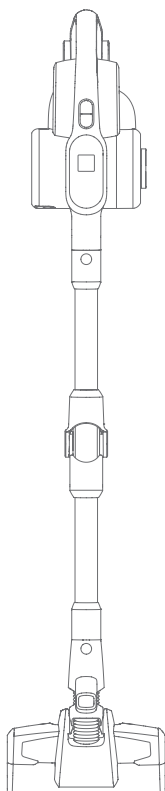


JIMMY



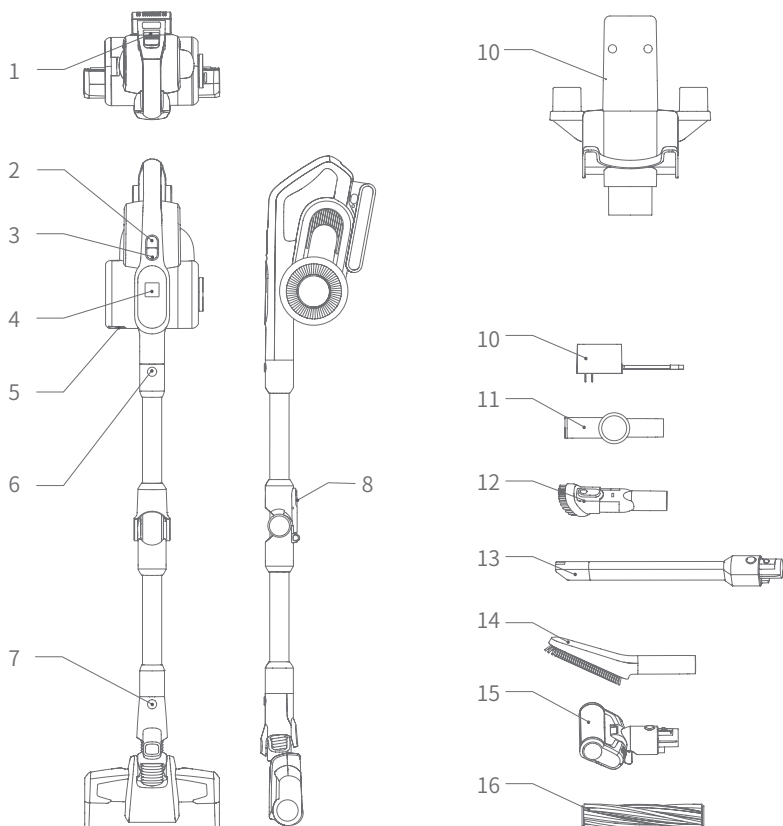
H10 Flex

Instruction Manual	Vacuum Cleaner
Instrukcja obsługi	Odkurzacz Jimmy
Bedienungsanleitung	Staubsauger
Manuel d'instruction	Aspirateur
Manuale D'Uso	Scopa elettrica senza filo
Manual de instrucciones	Aspirador
Руководство по эксплуатации	Пылесос

Contents

English	2
Polski	17
Deutsch	32
Français	47
Italiano	62
Español	77
русский язык	92

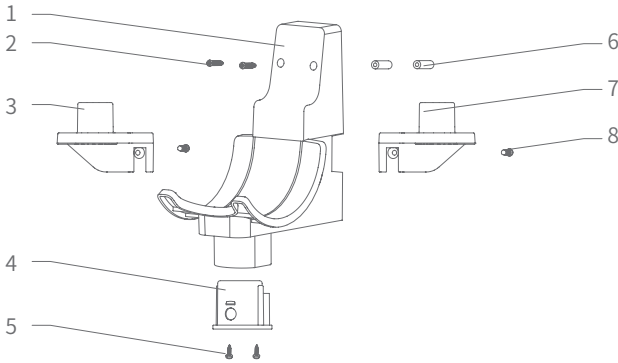
Parts Name



- 1. Battery pack release button
- 3. Mode button
- 5. Dust cup bottom release button
- 7. Floorhead release button
- 9. Storage holder
- 11. Connector
- 13. Flexible crevice tool
- 15. Electric mattress head

- 2. On/off switch
- 4. LED screen
- 6. Metal tube release button
- 8. Metal tube bending release button
- 10. Charger
- 12. Upholstery tool
- 14. Soft brush
- 16. Carpet brushroll

Storage holder parts name



1.Machine holder

3.Accessory holder right

5.Screw ST3-12 *2

7.Accessory holder left

2.Screw ST4-32 *2

4.Electric mattress head holder

6.Expansion pipe

8.Screw ST4-16 *2

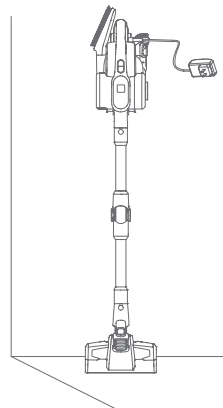
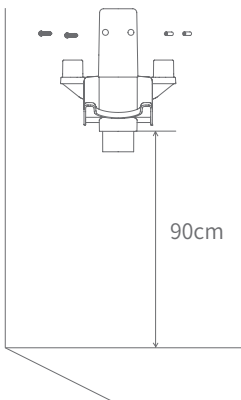
Charging holder assembly

1.Assemble left and right accessory holder to the charging holder, then fasten accessory holders with screw.

2.Put the vacuum cleaner in the holder, and lean the vacuum cleaner against the wall, place the holder in the position that vacuum cleaner floorhead just touches ground, proposed height 90cm. Take off the handheld vacuum cleaner, place expansion pipe on the wall and place the holder to the expansion pipe position, then lock in the screw.

3.After assembly completed, put the vacuum to charger holder to charge or store.

Attention:Do not fix the holder to bathroom or other humid wall.



Packing List

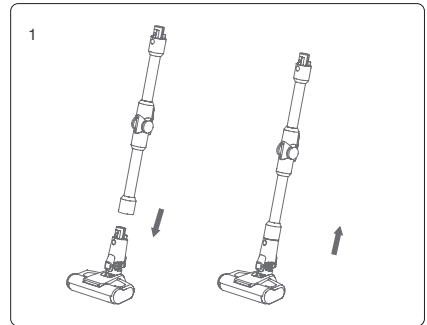
Part name	Handheld vacuum	Electric floor head	Flexible metal tube	Battery pack
Quantity	1	1	1	1
Part name	Flexible crevice tool	Soft brush	Connector	Upholstery tool
Quantity	1	1	1	1
Part name	Adapter	Carpet brushroll	Electric mattress head	Machine holder assembly
Quantity	1	1	1	1
Part name	Accessory holder left	Accessory holder right	Screw pack	User manual
Quantity	1	1	1	1

Machine assembly

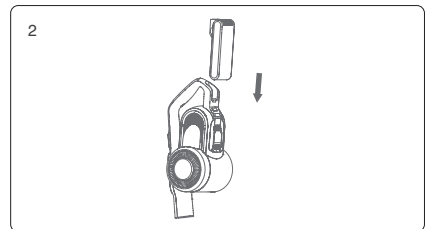
Assemble and disassemble electric floor head with flexible metal tube

Hold the floor head with left hand, use right hand to insert the metal tube vertically into floor head, align with the conductive needle, press the tube until a “click” sound is heard.

Attention: Keep the handle and floor head in the same direction, conductive needle shall align with the socket.



When packing, storing or cleaning, if the electric floor head needs to be removed, press the brush release button and pull the metal tube in the direction shown in the picture to take out floor head.



Assemble battery pack with handheld vacuum

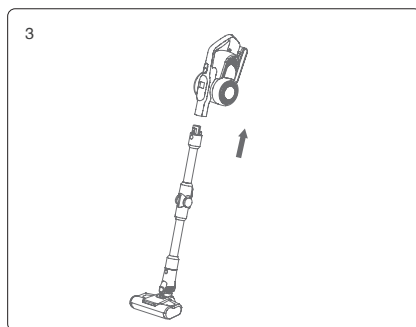
Hold battery pack, align with guiding slot on handheld vacuum body, slide in battery pack in the arrow direction in the picture. And then pull the battery pack after installation to make sure it does not get loose.

Attention: when the vacuum cleaner is long idled, please remove the battery, pack the machine and store it in a cool and dry place, avoid direct sunlight or humid environment.

Assemble floor head and metal tube assembly with handheld vacuum



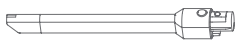
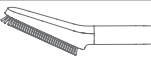


First, assemble floor head and metal tube according to the method of assembling electric floor head with metal tube.

Then, as shown by the arrow, align the conductive needle of the metal tube with the coupler of the handheld vacuum suction nozzle, push metal tube upward until a "click" sound is heard.

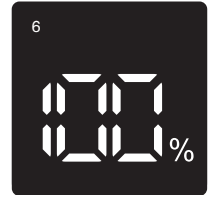
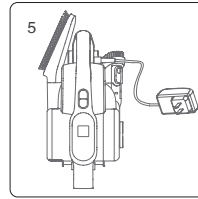


Assembly of accessories

For the convenience of use, this product is specially equipped with some accessories for the hand-held part of the vacuum cleaner. When you use the handheld vacuum cleaner alone, you can directly connect the accessories according to your needs.

Name	model	H10 Flex
Electric mattress brush		
Upholstery tool		
Flexible crevice tool		
Dusting brush		
Connector		
Carpet brushroll		

2. Charge the battery on machine: lug one end of charger to battery pack connector and another end of charger to power socket to charge the battery when battery pack is assembled in the vacuum cleaner. Machine LED screen will show battery power percentage. When charging is completed it will show 100% as the pictures shows.

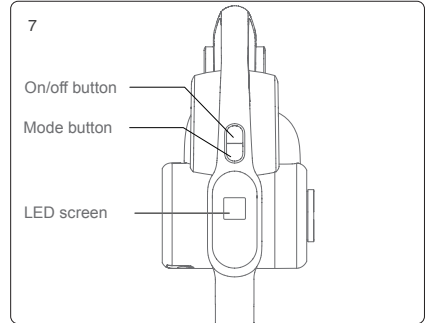


Attention:

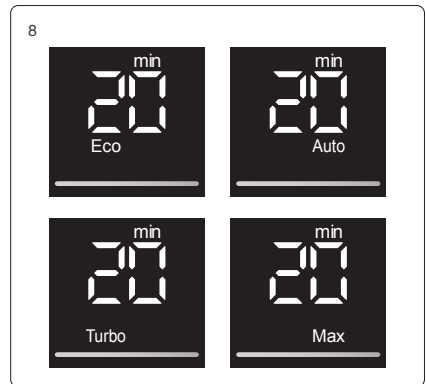
1. When battery power is below $\leq 20\%$, If machine is working in Max mode in this status, it will change to Eco mode automatically. When battery power runs off, machine will turn off.
2. If vacuum cleaner is long idled, charge the battery every three months to avoid battery failure.

Use of handheld vacuum and LED screen contents

Take the vacuum cleaner off the storage holder, press the on/off button to start or stop the vacuum cleaner. Mode button can adjust working mode. When machine is turned on, it works in Auto mode, press the mode button to switch to the sequence of Turbo- Max - Eco-Auto mode.



Middle of LED screen displays product run time left in current mode. When mode is changed, left run time will also change accordingly.



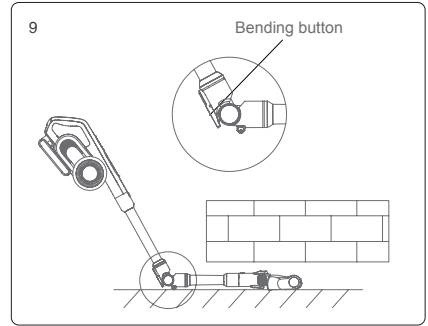
When product works in Max mode and battery power drops below 20%, to extend product run time, product will automatically switch from Max to Eco mode. After battery is charged to higher than 20% power, product can work in Max mode.

When the product is working in Auto mode, it will adjust working power basing on the dust content and the floor type it detects, in order to achieve higher cleaning efficiency. Under Auto mode, LED screen display Auto regardless how high the working power is.

The product is equipped with dust content sensor. On LED screen bottom there is a light strip to display the dust content. As dust content decreases from high to low, the red colour decreases and blue colour increases. When the strip is completely blue, the cleaning surface is clean. Cleanness of the cleaning surface can be visually displayed through LED screen.

Use of flexible metal tube

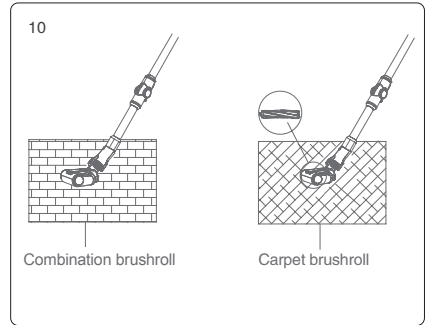
The flexible metal tube has two modes: vertical and bending. The vertical mode is equivalent to the normal metal tube. The bending mode can be used for cleaning under the sofa, table or bed, etc. When the bending mode is needed, press the release button and the metal tube can achieve 0-90° bending angle.



Use of electric floor head

Electric floor head is suitable to clean all kinds of floor like hard floor, tile and carpet etc. Product comes with an extra carpet brushroll can be replaced to the floor head to deep clean carpet.

Attention: During the operation of the electric floor head, if there is a large volume of foreign matter inhaled or too much fiber wound, or even a child in the play of the machine mistakenly put his hand into the nozzle, resulting in the brushroll abnormal stop, the electric floor head will stop working, in order to protect personal safety and brush motor.

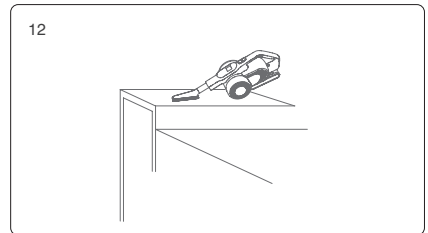
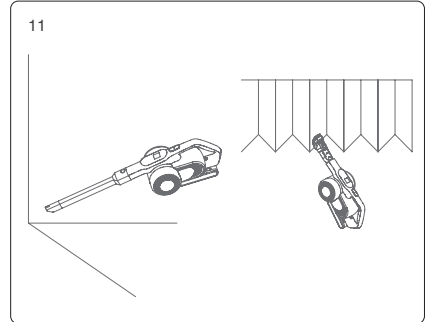


Use of accessories

Flexible crevice tool : The crevice tool can be bent into angle with LED light in the head. Suitable for cleaning crevice, door, window corners and other narrow gap as well as hard to reach areas.

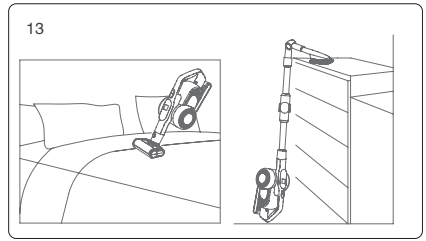
Upholstery tool: suitable for cleaning closet, windowsill, sofa and table surface.

Soft brush: suitable for cleaning easy to scratch furniture like bookshelf, handicraft etc.



Electric mattress head: Suitable for sofa and bed mattress. The brushroll beats out and then cleans the dust mite and allergen from deep sofa or bed.

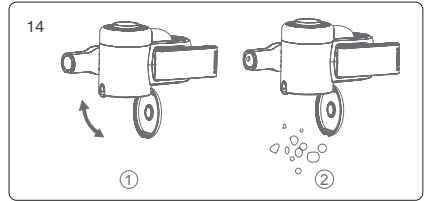
Connector: Can be connected to other tools and bend to different angle to clean dust on top of high cabinets or dust on the roof.



Cleaning and Replacing Parts

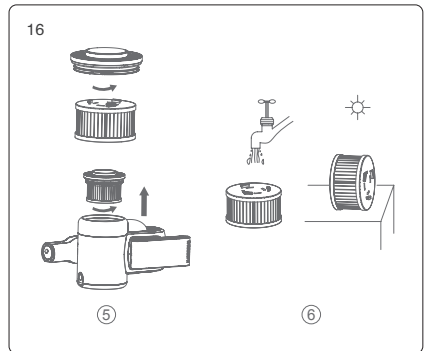
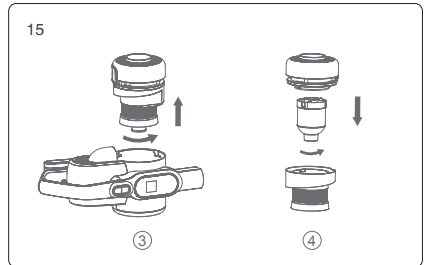
Attention:

1. HEPA filter is available for sale from local vacuum cleaner distributors.
2. It is recommended to clean the dust cup after each use; When the dust cup is full or the HEPA filter is clogged, it needs to be cleaned and replaced if necessary.
3. Electric floor head brushroll might be entangled with hair after long time use. It needs to be cleaned in time to keep the vacuum working more efficiently.



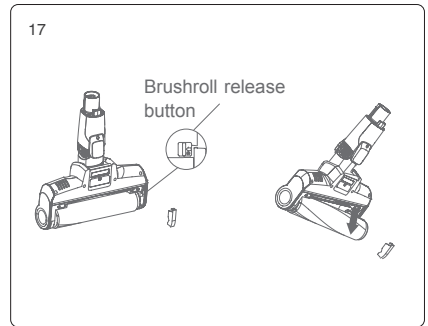
Clean dust cup and filters

1. Press down the dust cup bottom cover to open dust cup bottom cover. Fig ①
2. Dump dust into trash can. Fig ②
3. Hold dust cup lid and rotate anti-clockwise, remove cyclone assembly from dust cup for cleaning. Fig ③
4. Rotate cyclone anti-clockwise, disassemble cyclone to clean. Fig ④
5. Hold HEPA lid and rotate anti-clockwise, remove HEPA assembly from top cover and then rotate HEPA lid to remove HEPA from the lid for cleaning. Fig ⑤
6. If HEPA needs wash, hold the HEPA and rotate clockwise, remove it from HEPA lid for washing. HEPA needs completely dry before reuse. Fig ⑥
7. After cleaning, assemble the parts back in the opposite sequence of disassembly.



Clean brushroll

1. Move the brushroll release button along the arrow direction remove side cover.
2. Remove one end of the brushroll and take it out from nozzle for cleaning.
3. After cleaning or replacing brushroll, assemble it back in opposite sequence of disassembly.



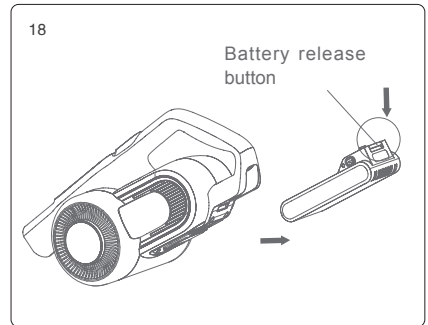
Vacuum cleaner storage

Battery pack disassembly

Press the battery release button, pull battery pack out backward and place the battery in a plastic bag, then store it in a dry place.

Product storage

When the vacuum is long idled, remove the battery, pack the machine and store it in a cool and dry place, do not put in direct sunlight or humid environment.



Safety Notes

This vacuum cleaner is designed for home use. Do not use it for commercial or other purposes.

Please read this instruction manual carefully before use, properly save and store it for future use.

Do not put the vacuum close to fire or other high temperature facility.

Do not use or store the machine under extreme bad conditions, for example, extreme temperature. It is recommended to use it indoors between the temperature of 5 °C to 40 °C. Store the machine in dry place and avoid direct sunlight.

Fully charge the battery before first use or after long storage.

Before using the vacuum, make sure brushroll is assembled, otherwise, it may lead to motor fan blockage, causing motor burn out.

Please do not use the vacuum to pick up detergent, oil, glass slag, needle, cigarette ash, wet dust, water, matches, etc.

Please do not use the vacuum to pick up tiny particles such as cement, gypsum powder, wall powder, or large objects such as paper balls, otherwise it will cause malfunctions such as blockage and motor burnout.

Avoid blockage to air inlet or brushroll, it may cause motor failure.

Do not put your hand or foot into floorhead inlet to avoid body hurt.

Do not pour or splash water or other liquids into the machine to avoid short circuit to burn out the machine.

If the brushroll is not working, please check whether the brushroll is entangled with hair or other long fiber, clean it in time.

When storing the machine for a long time, ensure that the battery is fully charged before storage and charge the machine at least every three months.

Unplug the charger to clean or repair the machine. Hold the charger when plugging or unplugging it, and do not pull the charging cord.

Use a dry cloth to clean the machine. Liquids like gasoline, alcohol, lacquer thinner will cause crack or colour fading and cannot be used.

If the machine is not working after fully charged, it must be checked and repaired in our designated office, please do not dismantle the machine on your own.

Discarded machine contains batteries. They should be recycled safely. Do not discard them randomly.

If there is damage on power cord, to avoid danger, it should be replaced or repaired by manufacturer, repairing agency or professional person.

This appliance can be used by children aged from 8 years and above and persons with reduced physical, sensory or mental capabilities or lack of experience and knowledge if they have been given supervision or instruction concerning use of the appliance in a safe way and understand the hazards involved.

The appliance is only to be used with the power supply unit provided.

Trouble Shooting

Please check the following issues before sending to designated repair agent.

Trouble	Possible Causes	Solutions
Motor does not work	Battery has no power	Charge the vacuum cleaner
	Metal tube, floorhead, battery pack and vacuum cleaner is not assembled correctly	Check the accessories are assembled correctly to the vacuum cleaner
Suction drops	Dust cup full	Clean dust cup
	Filter blocked	Clean or replace filter
	Floorhead air path blocked	Clean floorhead air path
Short working time after charging	Machine not fully charged	Follow instruction manual to fully charge the battery
	Battery old aging	New batteries can be bought from local distributor
Dust level light on LED screen is always red	Dust sensor covered by dust	Clean the dust on the dust sensor which is located in the suction inlet of the handheld vacuum cleaner

Warning reminding

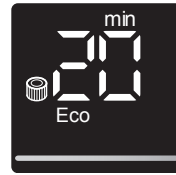
1. When air path or HEPA filter is clogged or dust cup is full, there will be HEPA cleaning reminding icon on LED screen. If machine is working in Max mode, it will change to Eco mode automatically until blockage is cleaned.

2. When brushroll is tangled by foreign objects, continue to use the product will activate brushroll blockage protection. LED screen will display F0 and product will stop to work until brushroll is cleaned.

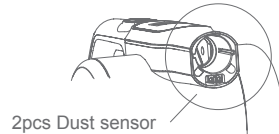
3. If the dust level light on screen is always red, dust sensor might be covered by dust, please clean the dust on the dust sensor which is located in the suction inlet of the handheld vacuum cleaner.

4. When there is an electric component defect, which needs professional after-service person for instruction or repairing, the screen will display the defect warning with error code of F0 to F9. Please contact after-service of local agent and provide error code.

19



20



Defect of F0 to F9 is as following:

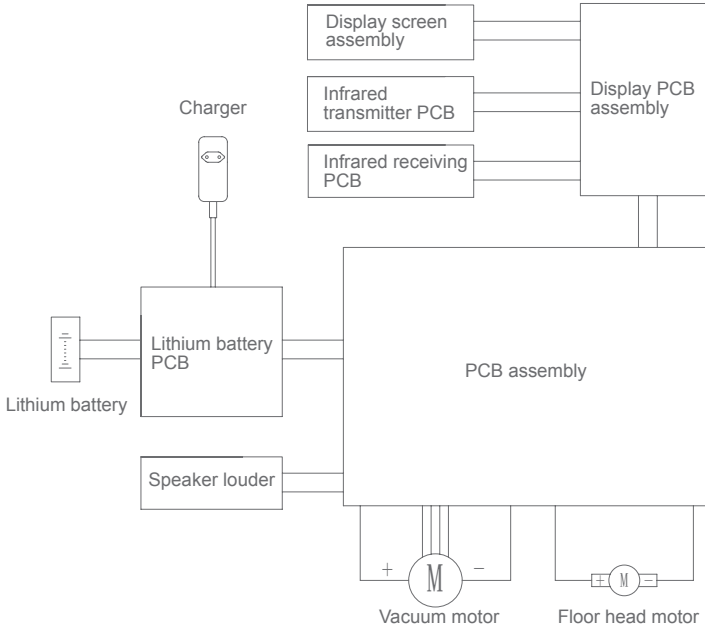
Code	Defect	Solutions
F0	Brushroll blocked	Take out brushroll to clean
F1	Battery pack nickel strip broken	Replace or repair battery pack
F2	Charger defect	Replace charger
F3	Vacuum motor short circuit	Replace vacuum motor
F4	Battery cell defect	Replace or repair battery pack
F5	Vacuum motor 2nd over current protection	Replace vacuum motor
F6	Vacuum motor 1st over current protection	Replace vacuum motor
F7	PCB defect or PCB leadwire loose	Replace PCB or PCB leadwire
F8	Battery pack NTC abnormal	Turn off the vacuum and turn on again after battery pack cools down. If error code still appears, replace battery pack.
F9	Brushroll motor short circuit	Replace floorhead

Attention: If any other failures occurred, which need professional tools, in order to avoid danger, the machine must be repaired or replaced by manufacturer, other maintenance offices or professionals from similar offices.

Technical specification

Model No	H10 Flex
Rated voltage	28.8V---
Rated power	650W
Adaptor Input Voltage	100-240V ~ 50/60 Hz 0.8A
Adaptor Output Voltage	34.2V--- 0.6A
Electric Floorhead Model No	T-EB110VA
Electric floor head rated power	50W
Battery pack capacity	3000mAh
Charge time	5h

Circuit Diagram



Manufacturer Information

Manufacturer	Kingclean Electric Co., Ltd
Address	No.1 Xiangyang Road, Suzhou New District, Jiangsu Province 215009, China



Disposal

The machine, accessories and packaging should be sorted for environmental-friendly recycling.



Do not dispose of the machine into household waste!

Only for EC countries:

According to the European Guideline 2012/19/EU, machine that are no longer usable, and according to the European Guideline 2006/66/EC, defective or used battery packs/batteries, must be collected separately and disposed of in an environmentally correct manner.

Battery packs/batteries:

Integrated batteries may only be removed for disposal by qualified personnel.

Opening the housing shell can damage or destroy the machine.

Do not dispose of battery packs/batteries into household waste, fire or water. Battery packs/batteries should, if possible, be discharged, collected, recycled or disposed of in an environmental-friendly manner.

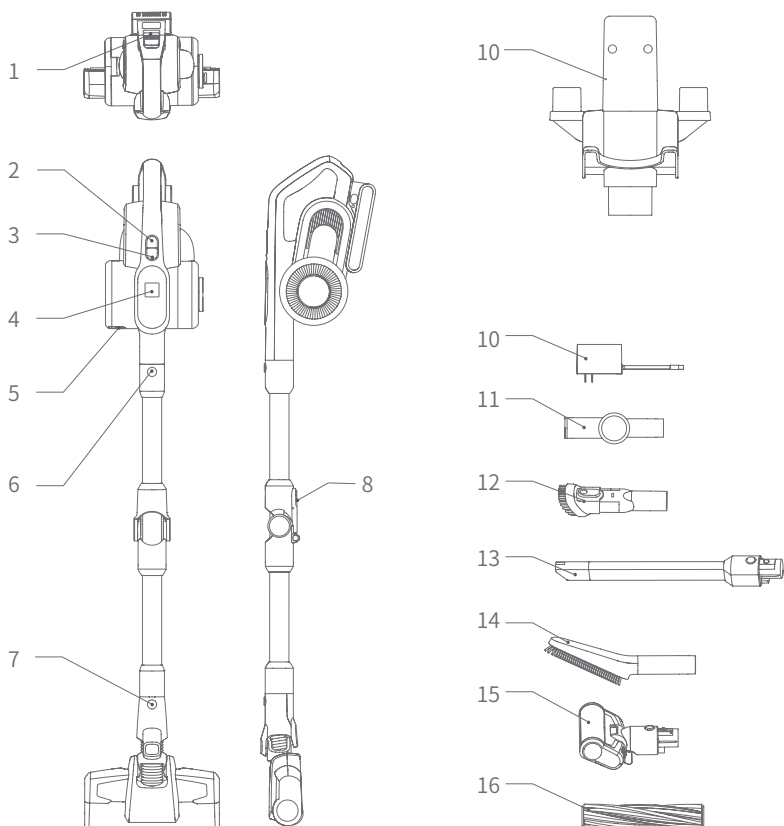
Subject to change without notice.

Warranty Information

This product enjoys two years warranty from the date of purchase.

Excluded from the guarantee is normal wear, commercial use, alterations to the appliance as purchased, cleaning activities, consequences of improper use or damage by the purchaser or a third person, damage that can be attributed to external circumstances.

Elementy produktu



1.Przycisk zwalnający pojemnik na akumulator

3.Przycisk trybu pracy

5.Przycisk zwalnający pojemnik na kurz

7.Przycisk zwalnający szczotkę

9.Uchwyt do przechowywania

10.Złączenie

12.Szczotka szczelinowa

14.Elektryczna szczotka do materacy

16.Elastyczna rura przedłużająca

2.Przycisk zasilający

4.Ekran LED

6.Przycisk zwalnający rurę przedłużającą

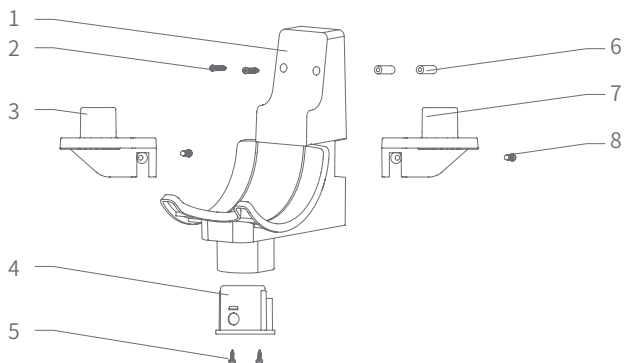
8.Przycisk zwalnający złączenie rury przedłużającej

11.Zasilacz

13.Końcówka do szczelin

15.Szczotka do dywanów

Uchwyt urządzenia

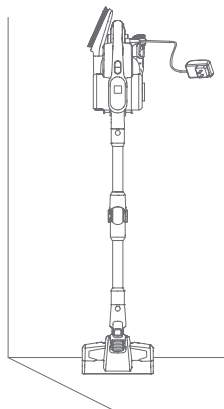
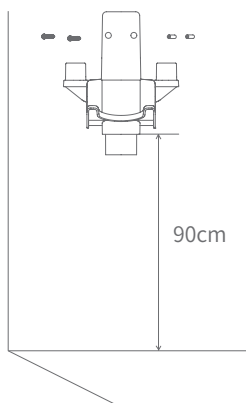


- | | |
|--|--|
| 1. Uchwyt maszyny | 2. Śruba ST4-32*2 |
| 3. Uchwyt na akcesoria z prawej strony | 4. Uchwyt na elektryczną głowicę do materacy |
| 5. Śruba ST3-12*2 | 6. Rura rozciągana |
| 7. Uchwyt na akcesoria z lewej strony | 8. Śruba ST4-16*2 |

Montaż uchwytu ładującego

1. Zamocuj lewy i prawy uchwyt na akcesoria do uchwytu ładowania, a następnie przykręć uchwyty na akcesoria za pomocą śruby.
2. Umieść odkurzacz w uchwycie i oprzyj odkurzacz o ścianę. Umieść uchwyt w takiej pozycji, aby głowica odkurzacza dotykała ziemi, proponowana wysokość wynosi 90cm. Zdejmij odkurzacz ręczny, umieść rurę rozprężną na ścianie i ustaw uchwyt w pozycji rury rozprężnej, następnie zablokuj śrubą.
3. Po zakończeniu montażu, umieść odkurzacz na uchwycie ściennym w celu ładowania lub przechowywania.

Uwaga: Nie należy mocować uchwytu do ściany łazienki lub innej wilgotnej ściany.



Packing List

Nazwa	Odkurzacz ręczny	Elektryczna szczotka	Metalowa rura przedłużająca	Akumulator
Ilość	1	1	1	1
Nazwa	Końcówka do szczelin	Miękka szczotka	Złączenie	Szczotka do tapicerki
Ilość	1	1	1	1
Nazwa	Szczotka do dywanów	Zasilacz	Elektryczna szczotka do materacy	Uchwyt maszyny
Ilość	1	1	1	1
Nazwa	Uchwyt na akcesoria z lewej strony	Uchwyt na akcesoria z prawej strony	Zestaw śrub	Instrukcja obsługi
Ilość	1	1	1	1

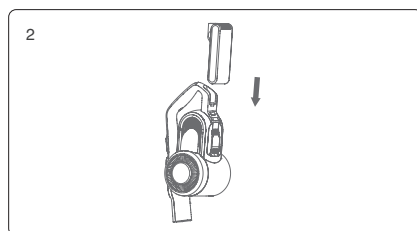
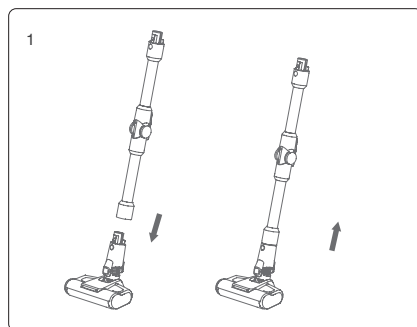
Montaż urządzenia

Montaż i demontaż elektrycznej szczotki z metalową rurą przedłużającą

Przytrzymaj lewą ręką elektryczną szczotkę, prawą ręką wsuń pionowo metalową rurkę do szczotki, wyrównaj i wciśnij rurę, aż usłyszysz odgłos "kliknięcia".

Uwaga: Uchwyt i elektryczna szczotka powinny być zwrócone w tym samym kierunku.

Jeśli podczas pakowania, przechowywania lub czyszczenia konieczne jest wyjęcie elektrycznej szczotki, należy nacisnąć przycisk zwalniający szczotkę i pociągnąć metalową rurę w kierunku pokazanym na rysunku, aby wyjąć szczotkę.



Montaż akumulatora z odkurzaczem

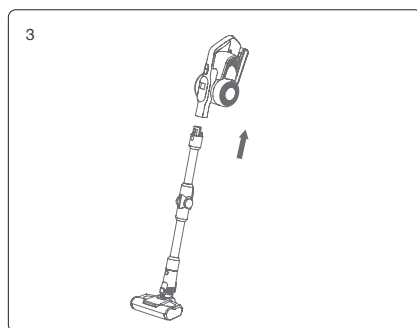
Przytrzymaj akumulator, umieść go nad wyznaczonym miejscem w korpusie odkurzacza ręcznego, a następnie wsuń akumulator zgodnie z kierunkiem strzałki na rysunku. Po zakończeniu instalacji należy pociągnąć za akumulator, aby upewnić się, że się nie poluzował.

Uwaga: jeżeli odkurzacz nie będzie używany przez dłuższy czas, należy wyjąć akumulator, umieścić odkurzacz w opakowaniu i przechowywać go w chłodnym i suchym miejscu, unikając bezpośredniego nasłonecznienia i wilgotnego otoczenia.

Montaż szczotki elektrycznej i rury przedłużającej do odkurzacza ręcznego

Najpierw należy zmontować szczotkę elektryczną i rurę przedłużającą zgodnie z metodą montażu.

Następnie, jak pokazuje strzałka, wyrównaj rurę przedłużającą ze złączką ręcznego odkurzacza i zamontuj. Przy prawidłowym montażu rozlegnie się odgłos "kliknięcia".

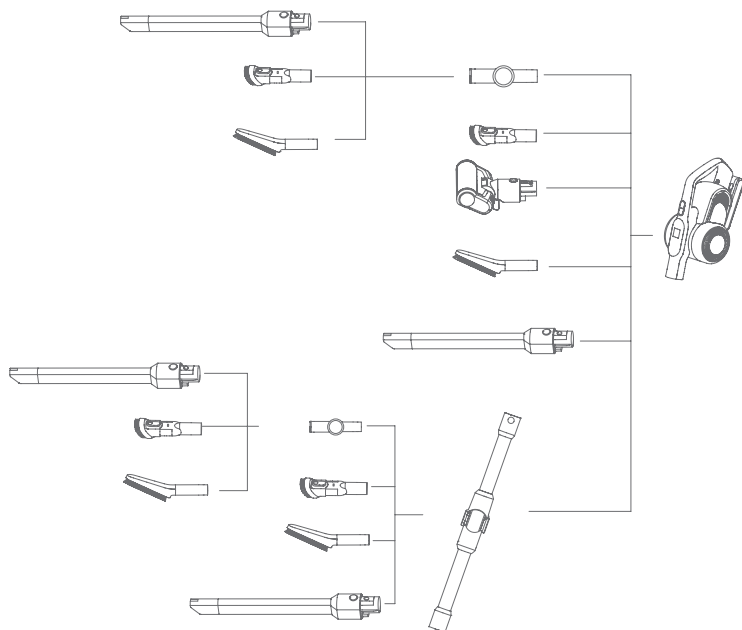


Montaż akcesoriów

Produkt został wyposażony w akcesoria do ręcznego odkurzacza. Podczas użytkowania odkurzacza ręcznego możliwy jest bezpośredni montaż preferowanych akcesoriów lub elastycznej rury przedłużającej.

Nazwa / modelu	H10 Flex
Elektryczna szczotka do materacy	
Szczotka do tapicerki	
Końcówka do szczelin	
Szczotka do kurzu	
Connector Złączenie	
Carpet brushroll Szczotka do dywanów	

Schemat prawidłowego montażu akcesoriów



Prawidłowe użytkowanie produktu

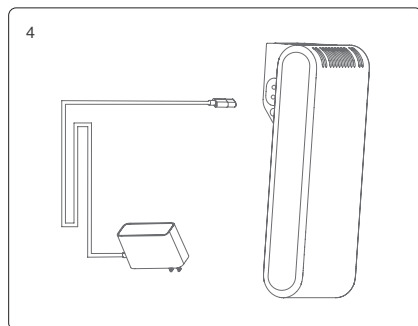
Ładowanie

Uwaga:

1. Przed pierwszym użytkowaniem akumulator może nie być w pełni naładowany. Przed rozpoczęciem użytkowania należy naładować odkurzacz.
2. Jeśli przewód zasilający jest uszkodzony, musi zostać wymieniony przez producenta lub autoryzowany serwis, aby uniknąć niebezpieczeństwa.

Produkt można ładować poprzez dwa sposoby:

1. Ładowanie akumulatora oddzielnie: podłącz jeden koniec ładowarki do złącza akumulatora, a drugi do gniazdka elektrycznego, aby naładować akumulator. Pod czas ładowania wskaźnik na bocznej części akumulatora świeci się na czerwono, a po zakończeniu ładowania zmienia kolor na zielony.



2. Ładowanie akumulatora w urządzeniu: podłącz ładowarkę do złącza akumulatora i do gniazda zasilania, aby naładować akumulator, gdy jest on zamontowany w odkurzaczu. Na wyświetlaczu LED urządzenia pojawi się procentowy wskaźnik naładowania akumulatora. Po zakończeniu ładowania na wyświetlaczu pojawi się wartość 100%.

Uwaga:

1. Gdy poziom zasilania akumulatora wynosi mniej niż $\leq 20\%$, a odkurzacz pracuje w trybie Max, automatycznie przejdzie w tryb Eco. Po rozładowaniu akumulatora, urządzenie się wyłączy.
2. Jeżeli odkurzacz nie będzie użytkowany przez dłuższy czas, należy łączyć akumulator co trzy miesiące, aby uniknąć jego uszkodzenia.

Obsługa odkurzacza ręcznego i wyświetlacza LED

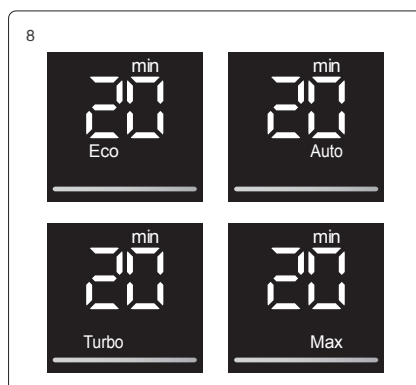
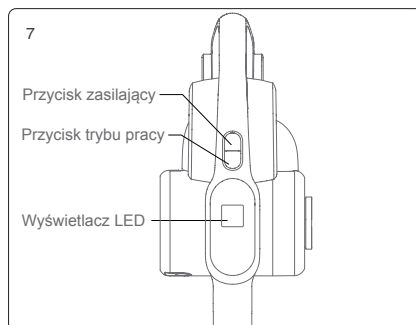
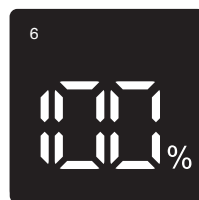
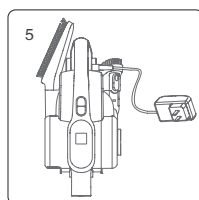
Wyciągnij odkurzacz z uchwytu i naciśnij przycisk zasilający, aby uruchomić lub zatrzymać odkurzacz. Przycisk trybu pracy umożliwia regulację trybu pracy. Gdy urządzenie jest włączone, pracuje w trybie Auto. Naciśnij przycisk trybu pracy, aby przełączać pomiędzy trybami Turbo - Max - Eco - Auto.

W środkowej części ekranu LED wyświetlany jest czas pracy produktu w bieżącym trybie. Po zmianie trybu pracy pozostały czas pracy również ulegnie odpowiedniej zmianie.

Gdy odkurzacz pracuje w trybie Max, a poziom naładowania akumulatora spadnie poniżej 20%, zostanie on automatycznie przełączony z trybu Max do Eco, aby wydłużyć czas pracy produktu. Po naładowaniu akumulatora do poziomu wyższe go niż 20% produkt może pracować w trybie Max.

Gdy urządzenie pracuje w trybie automatycznym, dostosowuje moc roboczą w zależności od zawartości kurzu i rodzaju wykrytej podłogi, aby osiągnąć jak najwyższą skuteczność czyszczenia. W trybie automatycznym na ekranie LED wyświetlany jest komunikat o trybie Auto, niezależnie od tego, jak wysoka jest moc robocza.

Produkt wyposażony jest w czujnik kurzu. W dolnej części ekranu LED znajduje się informacja o poziomie zanieczyszczeń. W miarę zmniejszania się zawartości z wysokiej do niskiej, kolor czerwony obniża się, a niebieski wzrasta. Jeśli pasek jest całkowicie niebieski, oznacza to, że powierzchnia czyszcząca jest czysta. Czystość powierzchni czyszczącej może być wizualnie przedstawiona na ekranie LED.



Zastosowanie metalowej rury przedłużającej

Metalowa rura przedłużająca umożliwia konstrukcję pionową odkurzacza, a także zgięcie rury poprzez ruchome złączenie. Aby dostosować kąt zgięcia metalowej rury, należy nacisnąć przycisk zwalnający. Metalowa rura przedłużająca może osiągnąć kąt zgięcia 0-90°.

Użytkowanie elektrycznej szczotki

Elektryczna szczotka jest odpowiednia do czyszczenia wszystkich rodzajów podłóg, takich jak twarde podłogi, płytki lub dywany. W zestawie znajduje się Szczotka do dywanów, którą można wykorzystać w celu skutecznego czyszczenia dywanów.

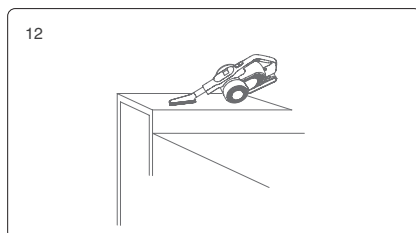
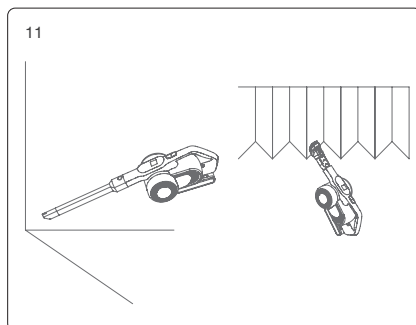
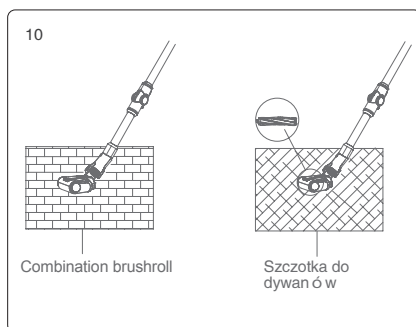
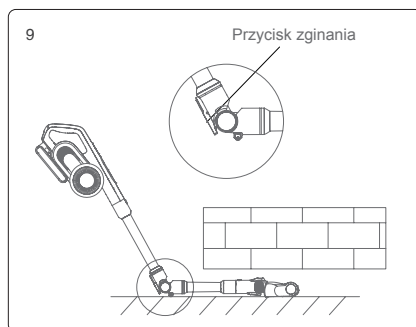
Uwaga: Jeżeli podczas pracy elektrycznej szczotki dojdzie do wciągnięcia zbyt dużych elementów, nawinięcia zbyt dużej ilości włókien lub zdarzy się sytuacja, w której dziecko przypadkiem włoży rękę do dyszy, co spowoduje nieprawidłowe zatrzymanie się wałka szczotki, elektryczna szczotka przerwie pracę, aby chronić bezpieczeństwo i silnik urządzenia.

Użytkowanie akcesoriów

Elastyczna końcówka do szczelin: odpowiednia do czyszczenia szczelin, drzwi, narożników, jak również trudno dostępnych miejsc.

Szczotka do tapicerki: odpowiednia do czyszczenia tapicerki i sof.

Miękka szczotka: odpowiednia do czyszczenia podatnych do zarysowania mebli, takich jak półki na książki, rękodziela.



Elektryczna szczotka do materacy: odpowiednia do sofy i materaców. Szczotka usuwa roztocza i alergeny.

Złączenie: umożliwia podłączenie do pozostałych akcesoriów i zgięcie pod kątem, aby usunąć kurz z trudno dostępnych miejsc.

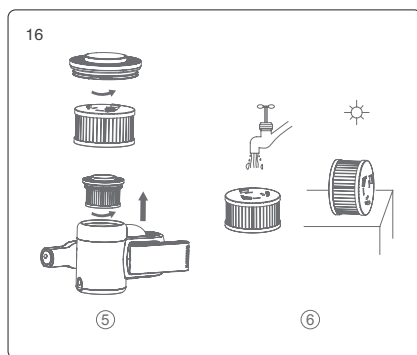
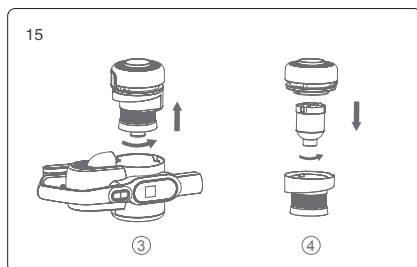
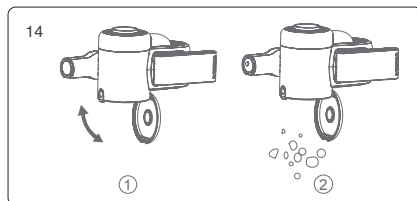
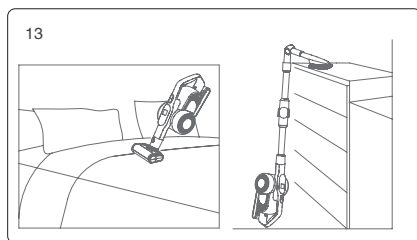
Czyszczenie i wymiana części

Uwaga

1. Filtr HEPA jest dostępny w sprzedaży u lokalnych dystrybutorów odkurzaczy.
2. Zaleca się czyszczenie pojemnika na kurz po każdym użyciu. Gdy pojemnik na kurz jest pełny lub filtr HEPA jest zatkany, należy go wyczyścić i w przypadku konieczności wymienić. Po długim użytkowaniu elektryczna szczotka może być pokryta pozostałościami. Należy ją regularnie czyścić, aby zachować prawidłową wydajność.

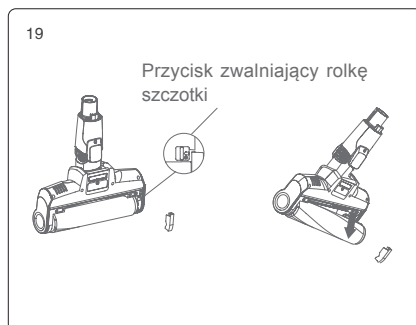
Czyszczenie pojemnika na kurz i filtry

1. Naciśnij dolną pokrywę pojemnika na kurz, aby go otworzyć (rys ①).
2. Wyrzuć odpady do kosza na śmieci (rys ②).
3. Przytrzymaj pokrywę pojemnika na kurz, obróć ją w kierunku przeciwnym do ruchu wskazówek zegara i zdejmij blok cyklonowy z pojemnika na kurz w celu wyczyszczenia (rys ③).
4. Obróć blok cyklonowy w kierunku przeciwnym do ruchu wskazówek zegara, aby zdemontować go w celu wyczyszczenia (rys ④).
5. Przytrzymaj pokrywę filtry HEPA i obróć w kierunku przeciwnym do ruchu wskazówek zegara, zdejmij filtr HEPA z górnej pokrywy, a następnie obróć pokrywę, aby wyjąć filtr w celu oczyszczenia (rys ⑤).
6. Jeśli filtr HEPA wymaga wyczyszczenia, należy go zdjąć z pokrywy, przytrzymać i obracać w kierunku zgodnym z ruchem wskazówek zegara. Przed ponownym użyciem filtr HEPA musi całkowicie wyschnąć (rys ⑥).
7. Po oczyszczeniu należy zmontować części w odwrotnej kolejności do demontażu.



Wyczyść wałek szczotki

1. Przesuń przycisk zwalniający rolkę szczotki w kierunku strzałki, aby zdjąć pokrywę rolki szczotki.
2. Zdejmij jeden koniec wałka szczotki i wyjmij go z dyszy w celu wyczyszczenia.
3. Po wyczyszczeniu lub wymianie wałka szczotki zamontuj go z powrotem w kolejności odwrotnej do demontażu.



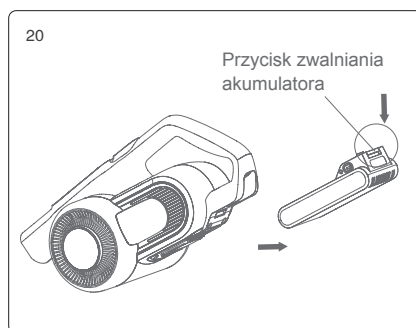
Vacuum cleaner storage

Demontaż akumulatora

Naciśnij przycisk zwalniający akumulator, pociągnij akumulator do tyłu i umieść go w plastikowej torbie, a następnie przechowuj w suchym miejscu.

Przechowywanie produktu

Jeżeli odkurzacz nie będzie użytkowany przez dłuższy czas, należy wyjąć akumulator, umieścić odkurzacz w opakowaniu i przechowywać go w chłodnym i suchym miejscu, unikając bezpośredniego nasłonecznienia i wilgotnego otoczenia.



Safety Notes

Ten odkurzacz jest przeznaczony wyłącznie do użytku domowego. Nie należy używać go do celów komercyjnych.

Przed użyciem należy dokładnie przeczytać niniejszą instrukcję obsługi i prze chowywać w celu wykorzystania w przyszłości.

Nie należy umieszczać odkurzacza w pobliżu ognia lub innego obiektu o wysokiej temperaturze.

Nie należy używać ani przechowywać urządzenia w niebezpiecznych warunkach, na przykład w wysokiej temperaturze. Zaleca się korzystanie z urządzenia w pomieszczeniach zamkniętych w temperaturze od 5°C do 40°C. Urządzenie należy przechowywać w suchym miejscu i unikać bezpośredniego działania promieni słonecznych.

Przed pierwszym użytkowaniem lub po długim przechowywaniu należy naładować akumulator do pełna.

Przed użyciem odkurzacza należy upewnić się, że szczotka jest prawidłowo zmontowana. W przeciwnym razie może dojść do zablokowania wentylatora silnika, co doprowadzi do jego spalania.

Nie należy używać odkurzacza do zbierania detergentów, oleju, szklanych elementów, igliwia, popiołu papierosowego, mokrego pyłu, wody, zapalek itp.

Nie należy używać odkurzacza do zbierania drobnych cząstek, takich jak cement, proszek gipsowy, proszek ścienny, ani dużych przedmiotów, takich jak kulki papieru, ponieważ może to spowodować nieprawidłowe działanie, takie jak zablokowanie i spalanie silnika.

Należy uważać, aby nie blokować wlotu powietrza szczotki, ponieważ może to spowodować awarię silnika.

Nie należy wkładać ręki ani stopy do wlotu powietrza szczotki, aby uniknąć obrażeń ciała.

Nie należy wlewać wody lub innych płynów do wnętrza urządzenia, aby uniknąć zwarcia i spalania urządzenia.

Jeśli szczotka nie działa, sprawdź, czy w wałek nie zaplątały się włosy lub inne długie włókna i wyczyść ją.

W przypadku dłuższego przechowywania urządzenia należy upewnić się, że akumulator jest w pełni naładowany oraz ładować urządzenie co najmniej raz na trzy miesiące.

Odłącz ładowarkę, aby wyczyścić lub naprawić urządzenie. Podczas podłączenia lub odłączania ładowarki należy trzymać ją w ręku i nie ciągnąć za przewód.

Do czyszczenia urządzenia należy używać suchej szmatki. Do czyszczenia nie wolno wykorzystywać substancji takich jak benzyna, alkohol czy rozcieńczalnik do lakieru, ponieważ spowodują pęknięcia lub wyblaknięcie koloru.

Jeśli urządzenie nie uruchamia się po pełnym naładowaniu, należy je sprawdzić i naprawić w autoryzowanym serwisie. Nie należy demontować urządzenia na własną rękę.

Urządzenie posiada akumulator. Należy je bezpiecznie poddać recyklingowi. Nie należy ich wyrzucać razem z odpadami domowymi.

W przypadku uszkodzenia przewodu zasilającego, aby uniknąć niebezpieczeństwa, powinien on zostać wymieniony lub naprawiony przez producenta, lub autoryzowany serwis.

Urządzenie może być dopuszczane do użytku przez dzieci w wieku od 8 lat wzwyż oraz osoby o ograniczonych zdolnościach fizycznych, sensorycznych lub umysłowych, a także osoby nieposiadające doświadczenia i wiedzy, jeżeli otrzywały one nadzór lub instrukcję dotyczącą bezpiecznego korzystania z urządzenia i rozumieją związane z tym zagrożenia.

Urządzenie może być ładowane wyłącznie poprzez zasilacz, który znajduje się w zestawie.

Rozwiązywanie problemów

Przed wysłaniem urządzenia do wyznaczonych punktów napraw należy sprawdzić poniższe rozwiązania.

Błąd	Możliwe przyczyny	Rozwiązania
Silnik pracuje nieprawidłowo	Akumulator nie jest naładowany	Należy naładować akumulator
	Rura przedłużająca, szczotka, akumulator lub odkurzacz nie są prawidłowo zamontowane	Sprawdź, czy akcesoria są prawidłowo zamontowane w odkurzaczu
Obniżona moc ssania	Pojemnik na kurz jest pełny	Opróżnij pojemnik na kurz
	Filtr jest zablokowany	Wyczyść lub wymień filtr
	Wlot powietrza szczotki jest zablokowany	Wyczyść wlot powietrza szczotki
Krótki czas pracy po naładowaniu akumulatora	Urządzenie nie jest w pełni naładowane	Aby w pełni naładować
	Akumulator posiada mniejszą wydajność	Należy wymienić akumulator na nowy w autoryzowanym serwisie
Wskaźnik poziomu zanieczyszczeń na ekranie LED świeci stale na czerwono	Czujnik kurzu jest pokryty kurzem	Oczyść z kurzu czujnik, który znajduje się we wlocie ssącym odkurzacza ręcznego

Ostrzeżenie

1. Jeśli przepływ powietrza lub filtr HEPA jest zablokowany, lub pojemnik na odpady jest pełny, na ekranie LED pojawi się ikona przypominająca o wyczyszczeniu. Jeśli urządzenie znajduje się w trybie Max, automatycznie przełączy się na tryb Eco do czasu usunięcia blokady.

2. Jeśli wokół szczotki owiną się obce przedmioty podczas użytkowania odkurzacza, zostanie uruchomione zabezpieczenie przed zablokowaniem się szczotki. Na ekranie LED pojawi się komunikat F0, a urządzenie zatrzyma pracę do czasu wyczyszczenia szczotki.

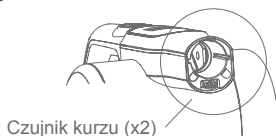
3. Jeśli wskaźnik poziomu kurzu na ekranie świeci stale na czerwono, czujnik kurzu może być pokryty kurzem. Należy oczyścić czujnik kurzu, który znajduje się we wlocie odkurzacza ręcznego.

4. Gdy nastąpi uszkodzenie elementów elektrycznych, które wymagają przeprowadzenia instruktażu lub naprawy przez profesjonalnego serwisanta, na ekranie pojawi się ostrzeżenie o uszkodzeniu z kodem błędu od F0 do F9. Należy skontaktować się ze sprzedawcą i podać kod błędu.

19



20



Kody błędów od F0 do F9:

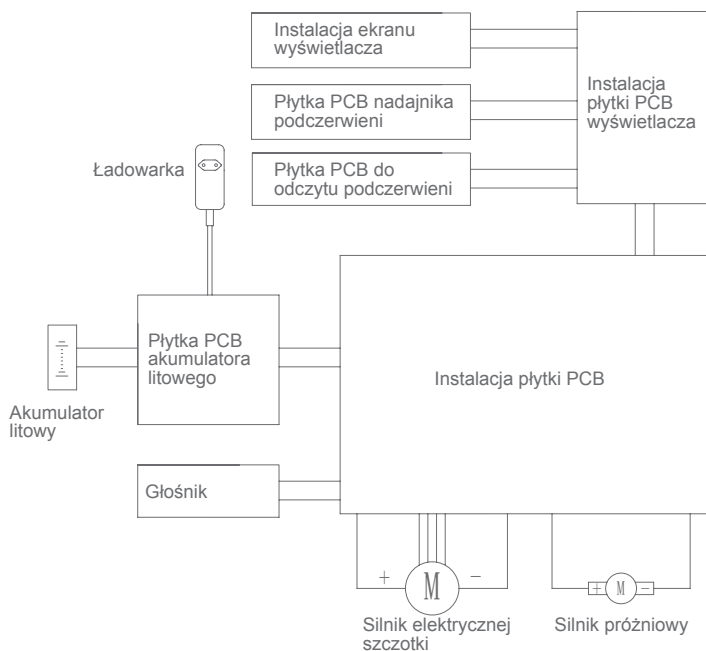
Kod	Usterka	Rozwiązania
F0	Zablokowana pędzelka	Wyjąć wałek do czyszczenia
F1	Uszkodzony pasek niklowy akumulatora	Należy wymienić lub naprawić akumulator
F2	Uszkodzenie ładowarki	Należy wymienić ładowarkę
F3	Zwarcie silnika próżniowego	Należy wymienić silnik próżniowy
F4	Uszkodzenie ogniwa akumulatora	Należy wymienić lub naprawić akumulator
F5	Drugie zabezpieczenie nadprądowe silnika próżniowego	Wymień silnik próżniowy
F6	Pierwsze zabezpieczenie nadprądowe silnika próżniowego	Wymień silnik próżniowy
F7	Uszkodzenie płytki PCB lub poluzowany przewód zasilający	Należy wymienić płytkę PCB lub przewód zasilający płytki
F8	Nieprawidłowy NTC akumulatora	Wyłącz odkurzacz i włącz go ponownie po ostygnięciu akumulatora. Jeśli kod błędu nadal się pojawia, należy wymienić akumulator
F9	Zwarcie silnika szczotki	Wymień głowicę szczotki

Uwaga: W przypadku wystąpienia jakichkolwiek innych usterek, które wymagają profesjonalnej naprawy, urządzenie musi zostać naprawione lub wymienione przez producenta, lub autoryzowany serwis, aby uniknąć niebezpieczeństwa.

Specyfikacja techniczna

Model	H10 Flex
Napięcie znamionowe	28.8V---
Moc znamionowa	650W
Napięcie wejściowe adaptera	100-240V ~ 50/60 Hz 0.8A
Napięcie wyjściowe adaptera	34.2V--- 0.6A
Model elektrycznej szczotki	T-EB110VA
Moc znamionowa elektrycznej szczotki	50W
Pojemność akumulatora	3000mAh
Czas pracy akumulatora	5h

Schemat obwodu



Informacje o produkcji

Producent	Kingclean Electric Co., Ltd
Adres	No.1 Xiangyang road, Suzhou New District, Jiangsu province, 215009, China



Prawidłowa utylizacja

Urządzenie, akcesoria i opakowanie powinny być poddane segregacji w celu przyjaznego dla środowiska recyklingu.



Nie wolno wyrzucać urządzenia razem z odpadami domowymi.

Wyłącznie dla krajów Unii Europejskiej:

Zgodnie z dyrektywą 2012/19/UE urządzenie, które nie nadaje się już do użytku, oraz zgodnie z dyrektywą 2006/66/WE uszkodzone lub zużyte zestawy baterii/akumulatorów należy poddać segregacji i utylizacji w sposób przyjazny dla środowiska.

Informacje dotyczące akumulatora :

Akumulatory mogą być odłączane w celu utylizacji wyłącznie przez wykwalifikowany serwis. Demontaż obudowy może spowodować uszkodzenie lub zniszczenie urządzenia.

Nie wolno wyrzucać akumulatorów/baterii do odpadów domowych, ognia lub wody. Pakiety baterii/akumulatorów należy w miarę możliwości rozładowywać, poddawać recyklingowi lub utylizować w sposób przyjazny dla środowiska.

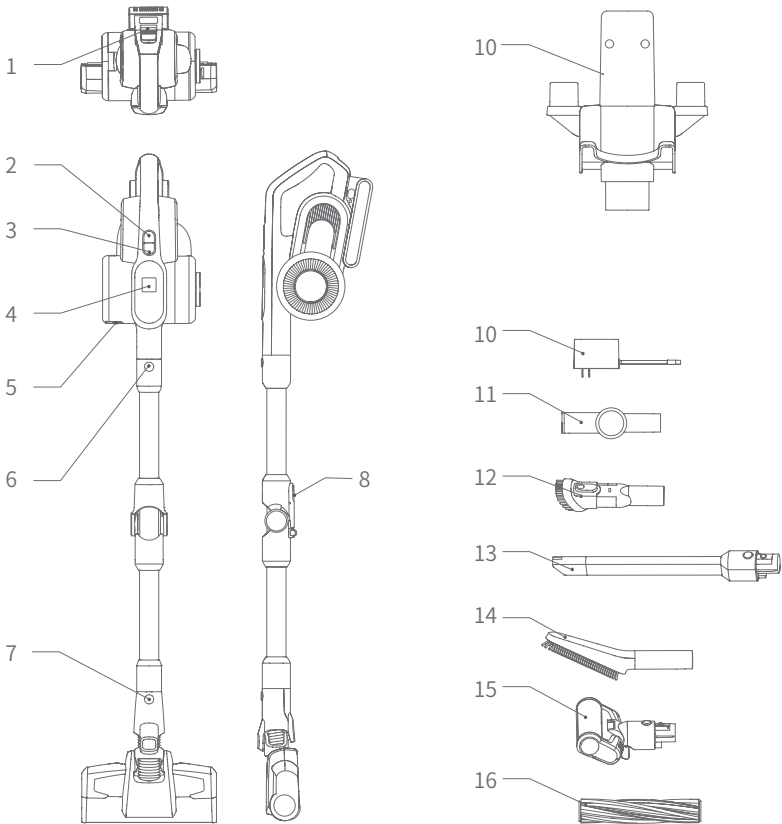
Zastrzega się możliwość wprowadzania zmian bez wcześniejszego powiadomienia.

Informacje gwarancyjne

Produkt objęty jest dwuletnią gwarancją od daty zakupu.

Gwarancja nie obejmuje normalnego zużycia, użytkowania komercyjnego, zmian w zakupionym urządzeniu, czynności związanych z czyszczeniem, skutków niewłaściwego użytkowania lub uszkodzenia przez nabywcę lub osobę trzecią, uszkodzeń, które można przypisać okolicznościom zewnętrznym.

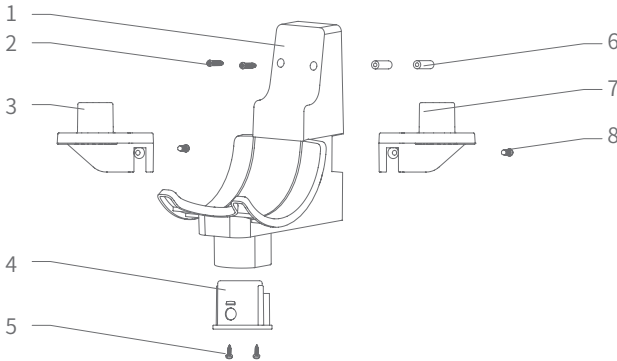
Teile



- 1. Entriegelungstaste des Akkupacks
- 3. Mode-Taste
- 5. Entriegelungstaste für Bodendeckel des Staubsammlers
- 7. Entriegelungstaste der Bodenbürste
- 9. Lagerregal
- 11. Winkelanschluss
- 13. Flexibles Fugendichtgerät
- 15. Milben-Bürste

- 2. Schalter
- 4. Display
- 6. Entriegelungsknopf für Metallrohr
- 8. Winkel-Taste auf Metallrohr
- 10. Adapter
- 12. Möbeldüse
- 14. Weichbürste
- 16. Teppich-Bürste

Bezeichnung der Teile des Lagerhalters

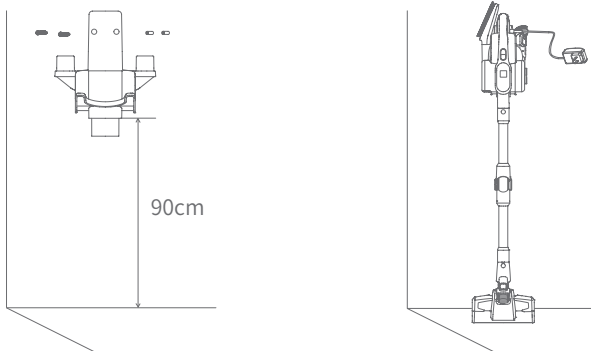


- | | |
|-------------------------|-------------------------------------|
| 1. Maschinenhalter | 2. Schraube ST4-32 *2 |
| 3. Zubehörhalter rechts | 4. Elektrischer Matratzenkopfhalter |
| 5. Schraube ST3-12 *2 | 6. Dehnungsrohr |
| 7. Zubehörräger links | 8. Schraube ST4-16 *2 |

Montage des Lagerregals

1. Montieren Sie den linken und rechten Zubehörhalter an der Ladehalterung und befestigen Sie die Zubehörhalter mit einer Schraube.
2. Setzen Sie den Staubsauger in die Halterung und lehnen Sie den Staubsauger gegen die Wand, platzieren Sie die Halterung in der Position, dass der Boden des Staubsaugers gerade den Boden berührt, vorgeschlagene Höhe 90cm. Nehmen Sie den Handstaubsauger ab, platzieren Sie das Expansionsrohr an der Wand und setzen Sie die Halterung in die Position des Expansionsrohrs, dann drehen Sie die Schraube ein.
3. Nach dem Zusammenbau stellen Sie den Staubsauger in den Ladehalter, um ihn aufzuladen oder zu lagern.

Achtung: Befestigen Sie die Halterung nicht an Badezimmern oder anderen feuchten Wänden.



Verpackungsliste

Bezeichnung	Handstaubsauger	Bodenbürste	Faltbares Aluminiumrohr	Akkupack
Anzahl	1	1	1	1
Bezeichnung	Flexibles Fugendichtgerät	Weichbürste	Winkelanschluss	Möbeldüse
Anzahl	1	1	1	1
Bezeichnung	Teppich-Walzenbürste	Adapter	Milben-Bürste	Montage des Maschinenhalters
Anzahl	1	1	1	1
Bezeichnung	Zubehörträger links	Zubehörträger rechts	Schraubenpaket	Gebrauchsanleitung
Anzahl	1	1	1	1

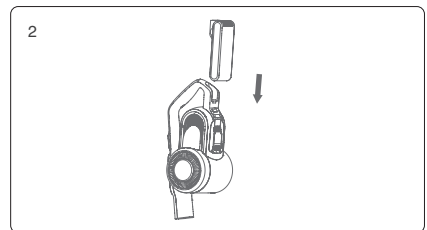
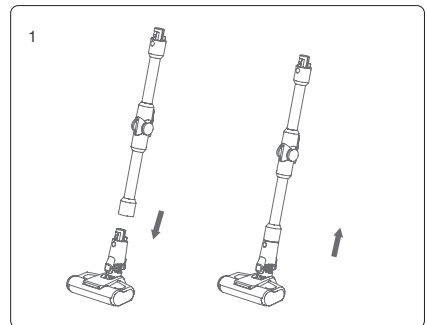
Die ganze Maschine montieren

Bodenbürste und Aluminiumrohr montieren und demontieren

Halten Sie beim Anschließen die Bodenbürste mit der linken Hand gemäß der in der Abbildung gezeigten Richtung, stecken Sie das Metallrohr mit der rechten Hand in den Bodenbürstenanschluss, richten Sie mit dem leitenden Stift aus und drücken Sie das Metallrohr fest nach unten, bis Sie ein „Klick“ hören.

Achtung: Beim Zusammenbau sollte der Griff in die gleiche Richtung wie die Bodenbürste ausgerichtet sein und das leitende Stift und Buchse aufeinander ausgerichtet sein.

Drücken und halten Sie die Entriegelungstaste der Bodenbürste und ziehen das faltbare Aluminiumrohr mit der rechten Hand in die in der Abbildung gezeigte Richtung, um zur Aufbewahrung oder Reinigung des Staubsaugers zu demontieren.



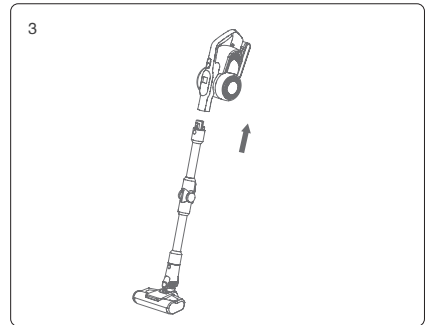
Akkupack und Handstaubsauger zusammensetzen

Nehmen den Akkupack und richten auf die Führung des Handstaubsaugers aus und setzen den Akkupack in die Pfeilrichtung ein. Ziehen Sie den Akkupack nach dem Einrasten ab. Es sollte fest und nicht los sein.

Achtung: Beim längeren Nichtgebrauch des Staubsaugers muss der Akku abgenommen werden und die Maschine muss gut verpackt und an einem kühlen und trocknen Ort aufbewahrt werden. Vermeiden Sie die Umgebung mit Sonneneinstrahlung und hoher Feuchtigkeit.

Bodenbürste-Metallrohr-Baugruppe und Handstaubsauger zusammensetzen



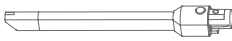
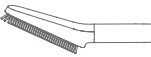


Montieren Sie zuerst die Bodenbürste und das Metallrohr gemäß der Anweisung.



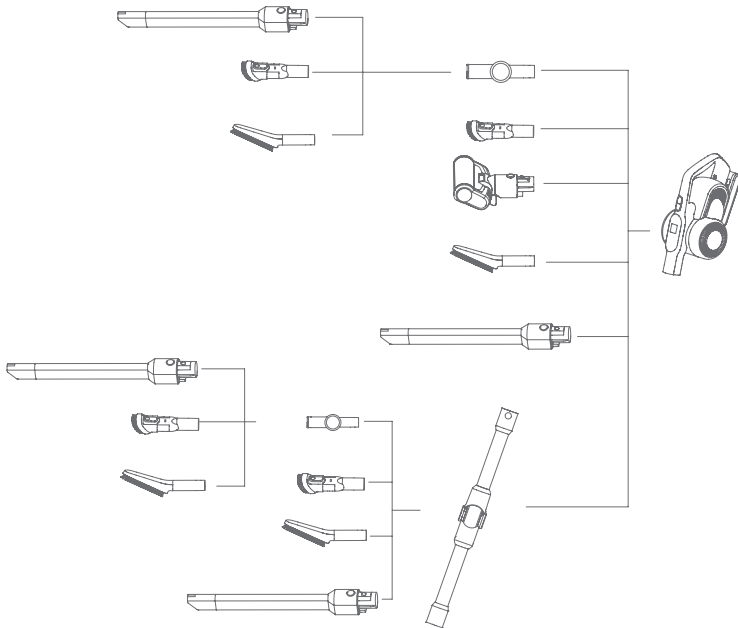
Richten Sie dann das leitende Stift des Metallrohrs mit der Kupplung des Handstaubsaugers aus, wie den Pfeil in der Abbildung gezeigt. Drücken Sie das Metallrohr fest nach oben, bis Sie ein „Klick“ hören.

Zubehör zusammensetzen

Dieses Produkt enthält Zubehörteile, um einen Handstaubsauger zusammenzusetzen. Wenn Sie Handstaubsauger verwenden, können Sie die Zubehörteile je nach Bedarf zusammensetzen oder über einen Teleskopschlauch anschließen. When you use the handheld vacuum cleaner alone, you can directly connect the accessories according to your needs or connect the accessories through the stretch hose.

Bezeichnung \ Typ	H10 FLeX
Bezeichnung	
Milben-Bürste	
Flexibles Fugendichtgerät	
Weichbürste	
Winkelanschluss	
Teppich-Walzenbürste	

Verbindungen der Zubehörteile



Gebrauch des Staubsaugers

Aufladen

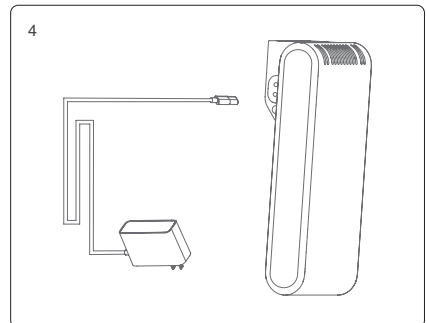
Hinweis:

1. Bei der Erstgebrauch ist der Akku des Staubsaugers nicht voll und soll aufgeladen werden.
2. Zur Vermeidung von Gefahren müssen die Fachleute des Herstellers, seine Wartungsabteilung oder die ähnlichen Abteilungen das beschädigte Kabel ersetzen.

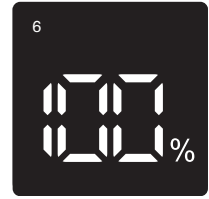
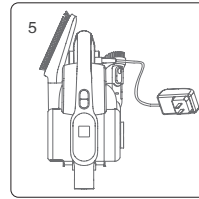
Dieses Produkt verfügt über 2

Lademethoden:

1. Akkupack separat aufladen: Stecken Sie den Adapterstecker in das Wechselstromnetz und stecken das andere Ende in den Akkupack-Anschluss zum direkten Aufladen. Zu diesem Zeitpunkt leuchtet die Anzeige an der Seite des Akkupacks rot und die Anzeige wird beim Vollladen grün.

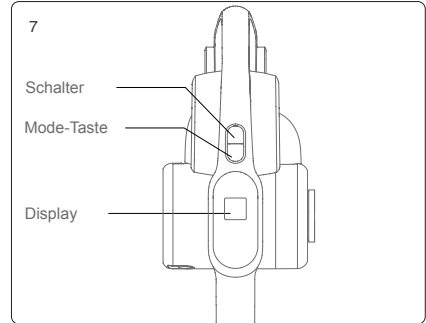


2. Gesamte Maschine aufladen: Stecken Sie den Adapterstecker in das Wechselstromnetz ein und stecken das andere Ende des Adapters in die Akkupack-Schnittstelle ein, wenn der Akkupack auf dem Staubsauger angebracht ist. Zu diesem Zeitpunkt zeigt das Display der Maschine den Prozentsatz der Ladeleistung und zeigt 100 %, wenn es vollständig aufgeladen ist, wie angezeigt in der Abbildung.



Hinweis:

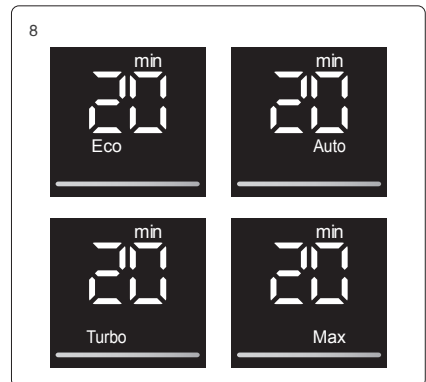
1. Wenn die Akkuleistung $\leq 20\%$ ist, signalisiert die Maschine eine Sprachanweisung. Die Maschine schaltet automatisch auf den Eco um, wenn es sich zu diesem Zeitpunkt in Max befindet. Wenn der Akku beim Gebrauch leer ist, werden das Display und die Sprachanweisung signalisieren und die Maschine schaltet aus.
2. Beim längeren Nichtgebrauch muss der Staubsauger alle 3 Monate aufgeladen werden, um eine Beschädigung des Akkus zu vermeiden.



Gebrauch und Anzeige

Auf dem LED-Display zeigt die verbleibende Nutzungszeit des Produkts im aktuellen Arbeitsmodus in der Mitte. Wenn der Modus umgeschaltet wird, ändert sich die verbleibende Nutzungszeit entsprechend.

Wenn das Produkt im Modus Max betrieht und der Akkustand bei 20 % bleibt, schaltet das Gerät automatisch von „Max“ auf „Eco“ um, um die Nutzungsdauer zu verlängern. Zu diesem Zeitpunkt kann es normal verwendet werden, wenn der Akku auf einen hohen Stand von mehr als 20 % aufgeladen ist.



Im Modus Auto ändert sich die Maschine die Leistungsstufe automatisch nach der erfassten Staubkonzentration und dem Bodentyp, um eine effizientere Reinigung zu erreichen. Im Modus Auto zeigt das Display unabhängig von der Leistungsstufe Auto an.

Das Produkt ist mit einem Staubgehaltssensor ausgestattet. Auf der Unterseite des LED-Bildschirms befindet sich ein Lichtstreifen zur Anzeige des Staubgehalts. Wenn der Staubgehalt von hoch auf niedrig sinkt, nimmt die rote Farbe ab und die blaue Farbe zu. Wenn der Streifen vollständig blau ist, ist die Reinigungsfläche sauber. Die Sauberkeit der zu reinigenden Oberfläche kann über den LED-Bildschirm visuell angezeigt werden.

Gebrauch des faltbaren Aluminiumrohrs

Das faltbare Aluminiumrohr hat zwei Modi: vertikal und gebogen. Im vertikalen Zustand entspricht es einem gewöhnlichen Metallrohr; Im gebogenen Zustand kann es zum Reinigen unter dem Sofa, Tisch oder Bett usw. verwendet werden. Es kann einen Winkel von 0-90 Grad gebogen werden.

Gebrauch der Bodenbürste

Die Bodenbürste eignet sich zur Reinigung von Hartböden, Bodenfliesen, Teppichen und anderen Oberflächen. Das Produkt ist mit einer zusätzlichen Teppich-Walzenbürste zur Tiefenreinigung ausgestattet. Es kann je nach Bedarf ausgetauscht werden.

Hinweis:

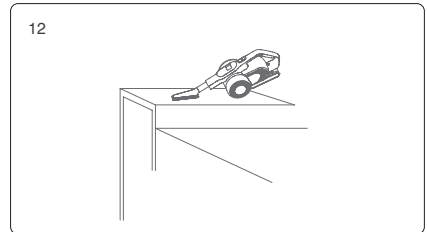
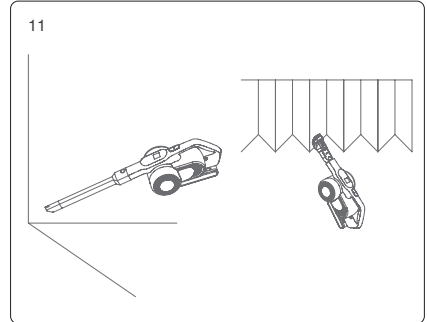
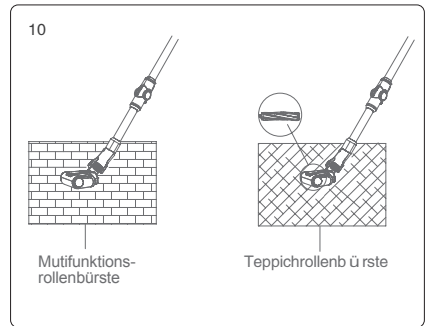
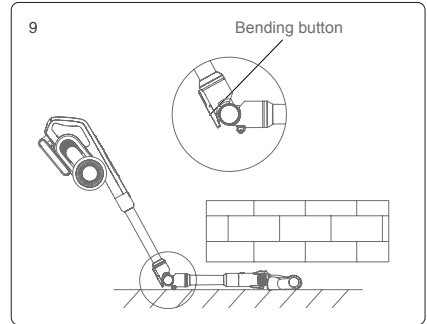
Wenn beim Betrieb der Walzenbürste zu viele Fremdstoffe aufgesaugt oder zu viele Fasern verwickelt sind, oder sogar ein Kind versehentlich seine Hand in den Walzenbürstenraum steckt, setzt die Walzenbürste zum Schutz selbstständig still. Es ist eine allgemeine Sicherheitsfunktion, um die sächliche und persönliche Beschädigung zu vermeiden.

Gebrauch der Zubehörteile

Flexibles Fugendichtgerät : Das Fugenwerkzeug kann in einen Winkel gebogen werden, mit LED-Licht im Kopf. Geeignet für die Reinigung von Fugen, Türen, Fensterecken und anderen engen Spalten sowie schwer zugänglichen Stellen.

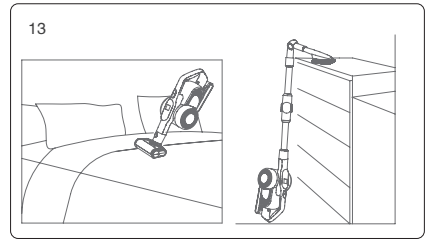
Möbeldüse: geeignet zum Reinigen von Schränken, Fensterbänken, Sofas und Staub auf verschiedenen Arbeitsplatten.

Weichbürste: geeignet zur Reinigung von Möbeln, die vor kratzenden Materialien geschützt werden sollten, wie Bücherregale und Kunsthandwerk.



Milben-Bürste: Es ist speziell für Sofas und Matratzen konzipiert. Durch die Vibration der Walzenbürste werden die in den tiefen Schichten der Bettwäsche oder des Sofas versteckten Milben und Bakterien ausgesaugt.

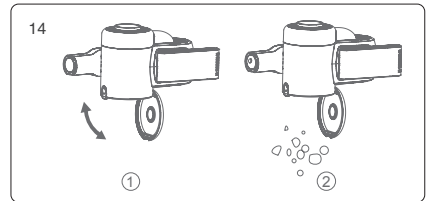
Winkelanschluss: Es kann mit anderen Zubehöerteilen verbunden und in verschiedenen Winkeln gebogen werden, um Staub von Schrankoberseiten oder hohen Stellen im Haus aufzusaugen.



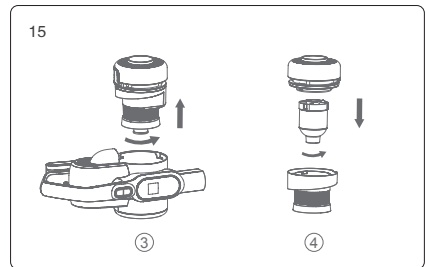
Teile reinigen und ersetzen

Hinweis:

1. Der Lufterlass-Filtermembran (Hepa-Filter) ist beim Händler des Staubsaugers erhältlich.
2. Es ist empfohlen, den Staubsammler rechtzeitig nach jedem Gebrauch zu reinigen; Zu vielen Staub wird der Hepa-Filter verstopft und muss gereinigt oder bei Bedarf ersetzt werden.
3. Nach längerem Gebrauch verwickelt sich Flocken wie Haare auf der Walzenbürste. Es muss rechtzeitig gereinigt werden, damit der Staubsauger effektiver arbeiten kann.

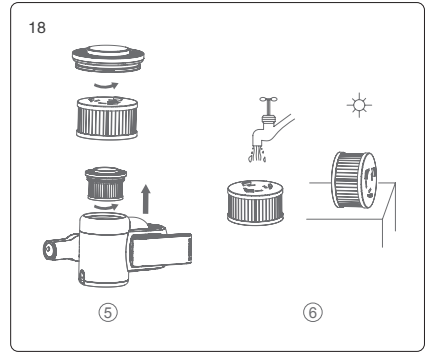


Staubsammler und Filtersystem reinigen



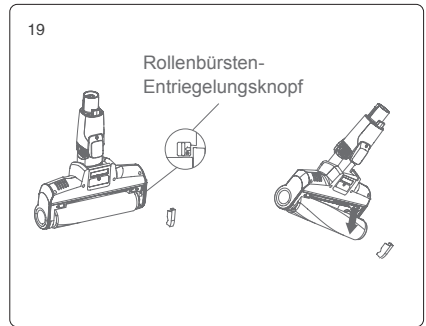
1. Drücken Sie die Entriegelungstaste für Bodendeckel des Staubsammlers und der Bodendeckel des Staubsammlers öffnet sich automatisch, wie in Abbildung ① gezeigt.
2. Schütten Sie den Staub in den Mülleimer, wenn der Bodendeckel des Staubsammlers geöffnet ist, wie in Abbildung ② gezeigt.
3. Halten Sie den Oberdeckel des Staubsammlers von Hand und drehen gegen den Uhrzeigersinn und ziehen nach oben, um die Zyklon-Baugruppe von der Staubsammler-Baugruppe zu trennen, wie in Abbildung ③ gezeigt. Dann kann die Zyklon-Baugruppe gereinigt werden.
4. Drehen Sie die Abdeckungsbaugruppe im Zyklon gegen den Uhrzeigersinn, um die Zyklon-Abdeckung zur Reinigung abzunehmen, wie in Abbildung ④ gezeigt.

4. Drehen Sie die Abdeckungsbaugruppe im Zyklon gegen den Uhrzeigersinn, um die Zyklon-Abdeckung zur Reinigung abzunehmen, wie in Abbildung ④ gezeigt.
5. Drehen Sie die Griffbaugruppe im Hepa-Filter gegen den Uhrzeigersinn. Sie können die Griffbaugruppe im Hepa-Filter aus der Oberdeckel-Baugruppe des Staubsaugers herausnehmen. Drehen Sie dann den Hepa-Filter-Griff gegen den Uhrzeigersinn und nehmen zur Reinigung ab, siehe Abbildung ⑤.
6. Der Hepa-Filter darf nach dem Waschen mit Wasser und vollständigen Trocken wieder und weiter verwendet werden, siehe Abbildung ⑥.
7. Setzen Sie das Gerät in umgekehrter Reihenfolge der Demontage zusammen.



Walzenbürste reinigen oder ersetzen

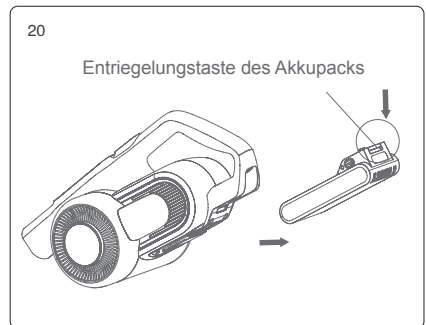
1. Bewegen Sie den Entriegelungstaste der Walzenbürste mit dem Finger in Pfeilrichtung, um die Seitenabdeckung der Walzenbürste herauszunehmen.
2. Drehen Sie die Walzenbürste in Pfeilrichtung wie in der Abbildung gezeigt. Die Walzenbürste wird dann zur Reinigung von der Bodenbürste abgenommen.
3. Montieren Sie das Gerät nach Reinigung oder Ersetzen in umgekehrter Reihenfolge der Demontage.



Staubsauger aufbewahren

Akkupack abnehmen

Drücken Sie die Entriegelungstaste des Akkupacks und ziehen Sie den Akkupack heraus. Legen Sie den Akkupack in eine Plastiktüte und bewahren an einem trocknen Ort auf.



Die Maschine aufbewahren

Beim längeren Nichtgebrauch des Staubsaugers muss der Akku abgenommen werden und die Maschine muss gut verpackt und an einem kühlen und trocknen Ort aufbewahren werden. Vermeiden Sie die Umgebung mit Sonneneinstrahlung und hoher Feuchtigkeit.

Hinweise

Der Staubsauger ist nur für den Haushalt Gebrauch, nicht für kommerzielle oder industrielle Zwecke.

Lesen Sie bitte diese Gebrauchsanleitung vor der Verwendung dieses Gerätes sorgfältig durch und bewahren gut auf, um nachzulesen.

Halten Sie den Staubsauger fern von dem Feuer oder dem Ort mit hoher Temperatur.

Verwenden und bewahren Sie das Gerät nicht unter extrem widrigen Bedingungen auf, z. B. extreme Temperatur. Verwenden Sie das Gerät nicht in Umgebungen, in denen die Temperatur unter 5 Grad oder über 40 Grad liegt. Lagern Sie das Gerät an einem kühlen und trockenen Ort und vermeiden Sie längere Sonneneinstrahlung.

Laden Sie den Akku bitte voll auf, bevor Sie einen neuen Akku verwenden oder den Akku nach längerer Lagerung zum ersten Mal verwenden.

Achten Sie vor der Verwendung des Staubsaugers darauf, die Walzenbürste der Bodenbürste einwandfrei zu montieren. Sonst kann es zum Abwürgen des Motors und zur Beschädigung des Motors führen kann.

Verwenden Sie bitte den Staubsauger so nicht, Reinigungsmitteln, Kerosin, Glasschlacke, Nadeln, Zigarette-Aschen, feuchtem Staub, Abwässern, Streichhölzern usw. aufzusaugen.

Verwenden Sie bitte den Staubsauger so nicht, die winzigen Partikeln wie Zement, Gipsmehl, Mauermehl oder großen Gegenständen wie Spielzeuge, Papierkugeln aufzusaugen. Sonst wird der Staubsauger blockiert und der Motor wird beschädigt.

Achten Sie bitte bei der Verwendung des Staubsaugers darauf, die Saugdüse und die Walzenbürste nicht zu blockieren. Es kann zu einem Motorausfall führen.

Bei der Verwendung des Staubsaugers dürfen die Gliedmaßen nicht in der Saugdüse der Bodenbürste gesteckt werden, weil es sonst leicht zu Verletzungen verursachen kann.

Gießen oder spritzen Sie bitte kein Wasser oder andere Flüssigkeiten auf oder in die Maschine, um einen Kurzschluss und ein Durchbrennen der Maschine zu vermeiden.

Wenn die Walzenbürste während des Gebrauchs nicht dreht, überprüfen Sie bitte sofort, ob sich Haare oder andere lange Fasern in der Walzenbürste verfangen haben, und reinigen rechtzeitig.

Stellen Sie bitte sicher beim längeren Nichtgebrauch, dass der Akku vollständig aufgeladen ist und mindestens einmal alle drei Monate geladen und entladen wird.

Wenn Ihr Staubsauger vollständig aufgeladen ist und gereinigt oder repariert werden muss, trennen Sie das Ladegerät bitte rechtzeitig vom Stromnetz. Dabei muss der Stecker des Ladegeräts beim Ein- und Ausstecken festgehalten und ziehen Sie nicht am Ladestromkabel.

Verwenden Sie zur Reinigung des Staubsaugers bitte ein trockenes Tuch. Verwenden kein Benzin, Alkohol, Amylacetat usw.. Sonst wird das Gehäuse abspalten oder sich verfärben.

Wenn die gesamte Maschine vollständig aufgeladen ist aber nicht funktionieren kann, müssen Sie an die dafür vorgesehene Wartungsstelle prüfen und reparieren. Zerlegen Sie die Maschine nicht eigenmächtig.

Verbrauchte Maschine enthält Akkupack, der sicher zurückgewonnen werden sollten. Entsorgen Sie bitte nicht eigenmächtig.

Zur Vermeidung von Gefahren müssen die Fachleute des Herstellers, seine Wartungsabteilung oder die ähnlichen Abteilungen das beschädigte Kabel ersetzen und reparieren.

Kinder ab 8 Jahren und Personen mit eingeschränkten physischen, sensorischen oder intellektuellen Fähigkeiten oder Mangel an Erfahrung und Wissen müssen beim Gebrauch beaufsichtigt oder die sichere Behandlung und die damit verbundenen Gefahren unterwiesen werden, bevor sie dieses Produkt verwenden.

Dieses Gerät darf nur mit dem originalen Netzteil verwendet werden.

Störung beheben

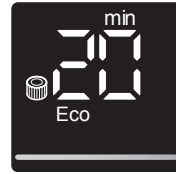
Bevor Sie mit Reparaturen der Reparaturabteilung verbinden, prüfen bitte zuerst.

Störung	Mögliche Ursache	Lösung
Motor funktioniert nicht einwandfrei	Akku ist leer	Staubsauger aufladen
	Ob Metallrohr, Bodenbürste, Akkupack und Handstaubsauger richtig zusammengesetzt	Prüfen Sie den Handstaubsauger, ob die Teile richtig zusammengebaut sind
Saugkraft reduziert	Staubsammler ist voll	Entleeren Sie den Staub vom Staubsammler
	Filtermembran ist voll mit Staub	Reinigen oder ersetzen die Filtermembran
	Die Einlaßleitung der Bodenbürste verstopft oder Walzenbürste ist blockiert	Den aufgehängten Müll in der Walzenbürste aufräumen
Unzureichende Nutzungsdauer nach dem Aufladen	Ladezeit ist unzureichend	Laden Sie den Akku voll auf, wie im Abschnitt „Aufladen“ beschrieben
	Akkualterung	Akkupack können bei Händlern vor Ort erworben werden
Die Staubkontrollleuchte auf dem LED-Bildschirm leuchtet immer rot	Die Stauberfassungssonde ist durch Staub verdeckt	Wischen Sie den Staub von der Stauberfassungssonde auf der Saugdüse ab

Warnung

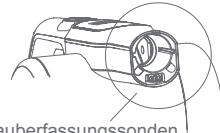
1. Wenn der Luftweg oder der HEPA-Filter verstopft oder der Staubbehälter voll ist, wird auf dem LED-Bildschirm ein Symbol zur Erinnerung an die HEPA-Reinigung erscheinen. Wenn das Gerät im Max-Modus arbeitet, wechselt es automatisch in den Eco-Modus, bis die Verstopfung beseitigt ist.

19



2. Wenn sich die Bürstenrolle durch Fremdkörper verheddert hat, wird der Schutz gegen die Blockierung der Bürstenrolle aktiviert, wenn Sie das Gerät weiter benutzen. Auf dem LED-Bildschirm wird F0 angezeigt und das Gerät stoppt den Betrieb, bis die Bürstenrolle gereinigt ist.

20



2 x Stauberfassungssonden

3. Wenn die Staubanzeige auf dem Bildschirm immer rot leuchtet, könnte der Staubsensor mit Staub bedeckt sein. Reinigen Sie dann bitte den Staub auf dem Staubsensor, der sich im Saugeinlass des Handstaubsaugers befindet.

4. Wenn elektrische Teile defekt sind und eine professionelle Beratung oder Reparatur erforderlich ist, zeigt das Display den Fehlercode F0-F9 wie unten dargestellt an.

Die Defekte von F0 bis F9 sind wie folgt:

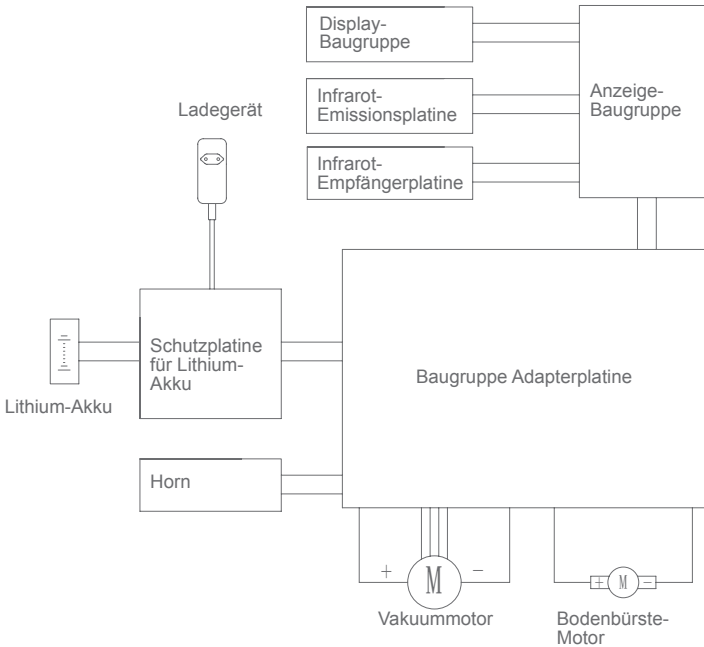
Code	Störung	Lösung
F0	Bürstenwalzen verfangen sich in Fremdkörpern und verklemmen sich	Reinigen Sie die Walzenbürste, um Fremdkörper zu entfernen.
F1	Nickel-Streif des Akkupacks bricht durch	Akkupack ersetzen oder reparieren
F2	Ladegerät funktioniert nicht	Ladegerät ersetzen
F3	Kurzschluss vom Motor des Staubsaugers	Motor des Staubsaugers ersetzen
F4	Akku funktioniert nicht einwandfrei einwandfrei	Akkupack ersetzen oder reparieren
F5	2. Überstromschutz für Vakuummotor	Sustituir el motor de vacío Vakuummotor austauschen
F6	1. Überstromschutz für Vakuummotor	Vakuummotor austauschen
F7	PCB funktioniert nicht einwandfrei oder PCB-Leitung ist los	PCB oder PCB-Leitung ersetzen
F8	NTC-Anomalie im Akkupack	Schalten Sie das Gerät aus und warten Sie, bis der Akku abgekühlt ist, bevor Sie es wieder einschalten. Wenn dieser Fehlercode weiterhin angezeigt wird, tauschen Sie den Akku aus
F9	Kurzschluss im Motor der Bürstenwalze	Bodenplatte austauschen

Hinweis: Bei einigen Störungen sind Spezialwerkzeuge erforderlich. Zur Vermeidung von Gefahren müssen die Fachleute des Herstellers, seine Wartungsabteilung oder die ähnlichen Abteilungen Teile ersetzen und reparieren.

Technische Daten

Typ der Maschine	H10 Flex
Nennspannung	28.8V---
Nennleistung	650W
Eingang Adapter	100-240V ~ 50/60 Hz 0.8A
Ausgang Adapter	34.2V--- 0.6A
Typ der Bodenbürste	T-EB110VA
Nennleistung der Bodenbürste	50W
Akkukapazität	3000mAh
Ladezeit	5h

Stromnetz



Info des Herstellers

Hersteller	Lexy Elektro GmbH
Anschrift	Xiangyang-Straße 1, Suzhou-Neustadtteil, Jiangsu-Provinz, VR China, 215009



Entsorgung

Maschinen, Zubehör und Verpackungen sollten umweltgerecht zurückgewonnen werden.



Werfen Sie die Maschine nicht in den Hausmüll!

Nur für die europäischen Länder:

Maschinen, die gemäß der Richtlinie 2012/19/EU nicht mehr verwendbar sind, die defekten oder verbrauchten Akkupacke/Akkus gemäß der Richtlinie 2006/66/EG müssen getrennt auf umweltgerechte Weise gesammelt und entsorgt werden.

Akkupack/Akku:

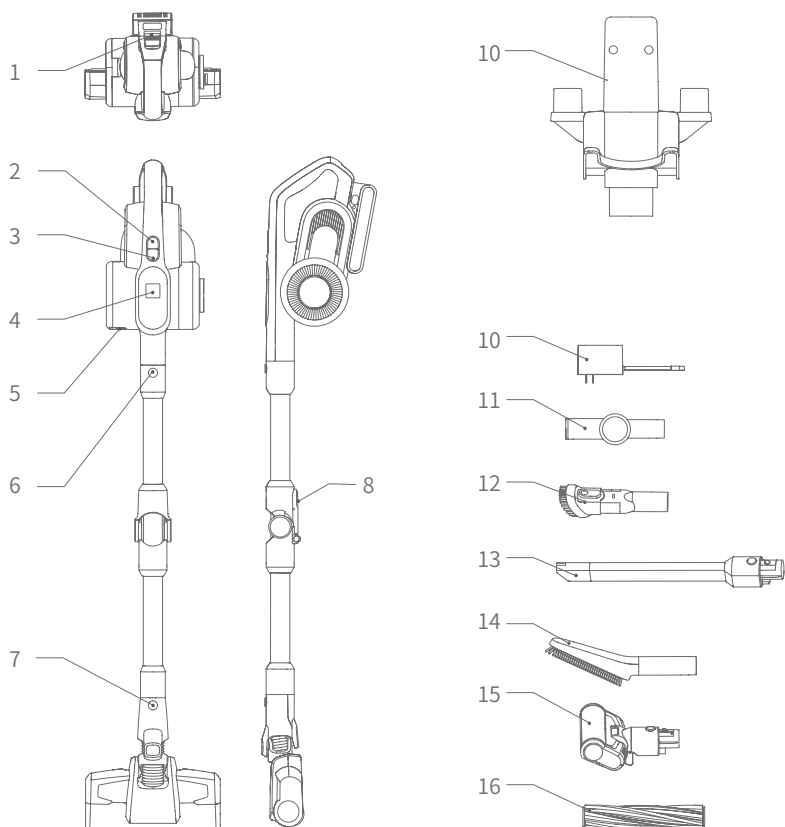
Der eingebaute Akku sollte nur von Fachleuten entfernt und entsorgt werden. Gehäuse zu öffnen kann die Maschine beschädigen. Werfen Sie Akkupack/Akku nicht in den Hausmüll, in das Feuer oder Wasser. Akkupack/Akku sollte möglichst umweltgerecht entladen, gesammelt, zurückgewonnen oder entsorgt werden.

Ohne Vorankündigung können die Regeln geändert werden.

Garantie

Für dieses Produkt gilt eine zweijährige Garantie ab Kaufdatum. Ausgeschlossen sind normale Abnutzung, gewerbliche Nutzung, Änderungen an Geräten nach dem Kauf, Beschädigung wegen Reinigungstätigkeiten und unsachgemäßer Verwendung, vom Käufer oder Dritten verursachte Schäden, Schäden, die auf die äußere Umgebung zurückzuführen sind.

Nom des pièces



1. Bouton de libération du bloc-piles

3. Bouton de mode

5. Bouton de déverrouillage du fond du pot à poussière

7. Bouton de déverrouillage de la tête au sol

9. Support de rangement

11. Connecteur

13. Outil de crevasse flexible

15. Brosse électrique pour l'élimination des acariens

2. Interrupteur marche/arrêt

4. Écran LED

6. Bouton de déverrouillage du tube métallique

8. Bouton de déverrouillage du pliage du tube métallique

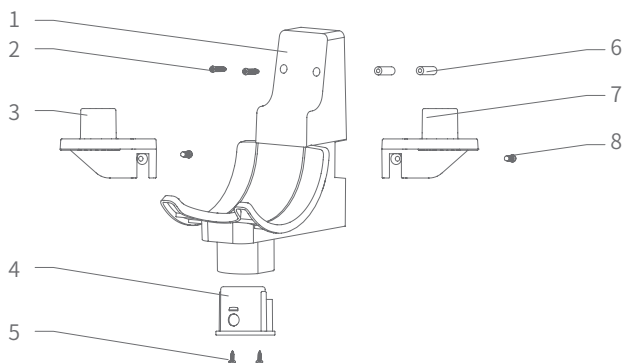
10. Adaptateur

12. Outil de tapisserie d'ameublement

14. Brosse douce

16. Rouleau de brosse à tapis

Nom des pièces du support de stockage



1. Porte-machine

3. Porte-accessoires droit

5. Vis ST3-12 *2

7. Porte-accessoires gauche

2. Vis ST4-32 *2

4. Support de tête de matelas électrique

6. Tube d'expansion

8. Vis ST4-16 *2

Nom des pièces du support de stockage

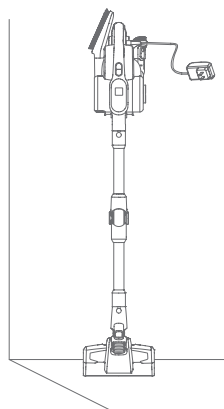
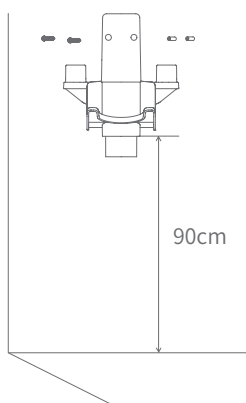
1. Assemblez les supports d'accessoires gauche et droit au support de charge, puis fixez les supports d'accessoires avec des vis.

2. Placer l'aspirateur dans le support, et appuyer l'aspirateur contre le mur, placer le support dans la position où la tête de l'aspirateur touche juste le sol, hauteur proposée 90cm.

Enlevez l'aspirateur à main, placez le tuyau d'expansion sur le mur et placez le support dans la position du tuyau d'expansion, puis fixez la vis.

3. Une fois l'assemblage terminé, placez l'aspirateur sur le support du chargeur pour le charger ou le ranger.

Remarque: Ne pas fixer le support à la salle de bain ou à un autre mur humide.



Liste de colisage

Nom de la pièce	Aspirateur à main	Tête de plancher électrique	Tube métallique flexible	bloc-piles
Quantité	1	1	1	1
Nom de la pièce	Outil de crevasse flexible	Brosse douce	Connecteur	Outil de tapisserie d'ameublement
Quantité	1	1	1	1
Nom de la pièce	Rouleau de brosse à tapis	Adaptateur	Brosse électrique pour l'élimination des acariens	Montage du support de la machine
Quantité	1	1	1	1
Nom de la pièce	Support d'accessoires à gauche	Support d'accessoires à droit	Paquet de vis	Manuel d'utilisation
Quantité	1	1	1	1

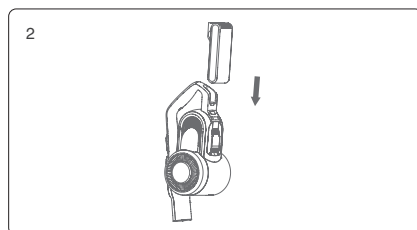
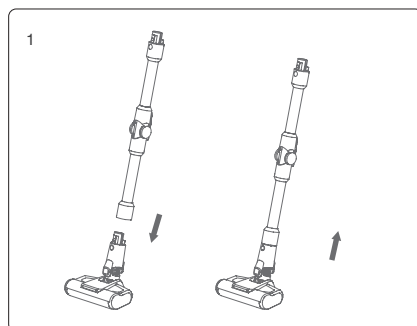
Montage de la machine

Montage et démontage de la tête de plancher électrique avec tube métallique flexible

Tenez la tête de sol avec la main gauche, utilisez la main droite pour insérer le tube métallique verticalement dans la tête de sol, alignez-le avec l'aiguille conductrice, appuyez sur le tube jusqu'à ce que vous entendiez un "clic".

Attention : Gardez la poignée et la tête du plancher dans la même direction, et l'aiguille conductrice doit être alignée avec la douille.

Lors de l'emballage, du stockage ou du nettoyage, si la tête de plancher électrique doit être retirée, appuyez sur le bouton de libération de la brosse et tirez le tube métallique dans la direction indiquée sur la photo pour retirer la tête de plancher.



Assembler le bloc-piles avec l'aspirateur portatif

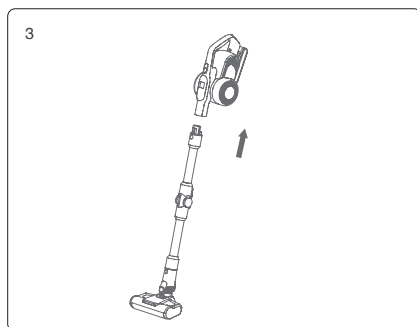
Tenez le bloc-piles, alignez-le avec la fente de guidage sur le corps de l'aspirateur portatif, faites-le glisser dans le sens de la flèche sur l'image. Après l'installation, tirez sur le bloc-piles pour vous assurer qu'il ne se détache pas.

Attention : lorsque l'aspirateur est utilisé pendant une longue période, veuillez retirer la batterie, emballer la machine et la ranger dans un endroit frais et sec, en évitant la lumière directe du soleil ou un environnement humide.

Assemblage de la tête de plancher et du tube métallique avec l'aspirateur à main

Tout d'abord, assemblez la tête de plancher et le tube métallique conformément à la méthode d'assemblage de la tête de plancher électrique avec le tube métallique.

Ensuite, comme indiqué par la flèche, alignez l'aiguille conductrice du tube métallique avec le coupleur de l'embout d'aspiration de l'aspirateur portatif, poussez le tube métallique vers le haut jusqu'à ce que vous entendiez un "clac".

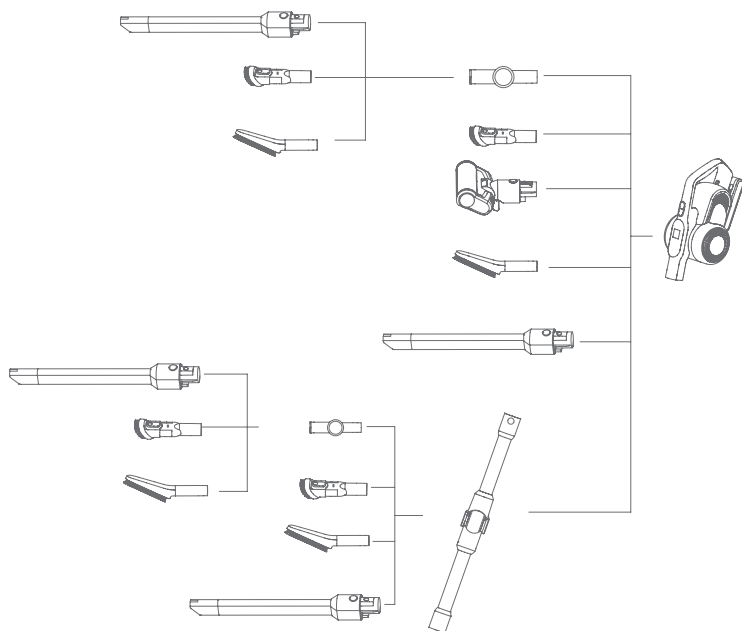


Montage des accessoires

Pour faciliter l'utilisation, ce produit est spécialement équipé de quelques accessoires pour la partie manuelle de l'aspirateur. Lorsque vous utilisez l'aspirateur à main seul, vous pouvez connecter directement les accessoires en fonction de vos besoins ou connecter les accessoires par le biais du tuyau extensible.

Nom	Modèle	H10 FLex
Brosse électrique pour l'élimination des acariens		
Outil de tapisserie d'ameublement		
Outil de crevasse		
Brosse à épousseter		
Connecteur		
Rouleau de brosse à tapis		

Accessoires Liste des connexions



Utilisation de l'aspirateur

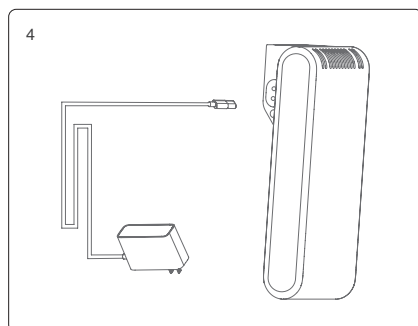
Chargement

Attention:

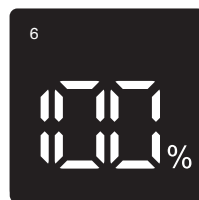
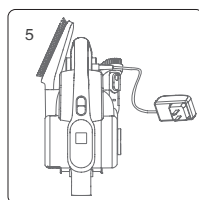
1. Lorsque vous utilisez le produit pour la première fois, la batterie n'est pas pleine. Il est nécessaire de charger l'aspirateur avant de l'utiliser.
2. Si le cordon d'alimentation est endommagé, pour éviter tout danger, il doit être remplacé par un professionnel du fabricant, un agent de réparation ou un service similaire.

Le produit peut être chargé de deux manières :

Chargez la batterie séparément : Branchez une extrémité du chargeur sur le connecteur du pack de batteries et l'autre extrémité du chargeur sur la prise de courant pour charger directement la batterie. De cette façon, lorsque la batterie est en cours de chargement, le voyant sur le côté du bloc de batteries est rouge et devient vert lorsque le chargement est terminé.



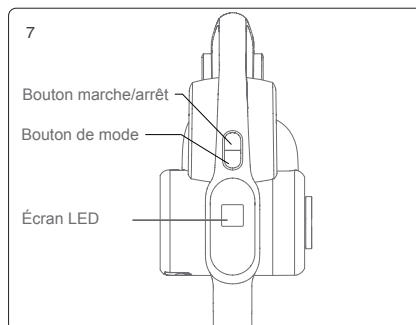
2. Chargez la batterie sur la machine : branchez une extrémité du chargeur sur le connecteur du bloc batterie et l'autre extrémité du chargeur sur la prise de courant pour charger la batterie lorsque le bloc batterie est monté dans l'aspirateur. L'écran LED de l'appareil affiche le pourcentage de charge de la batterie. Lorsque la charge est terminée, l'écran affiche 100 %, comme le montrent les photos.



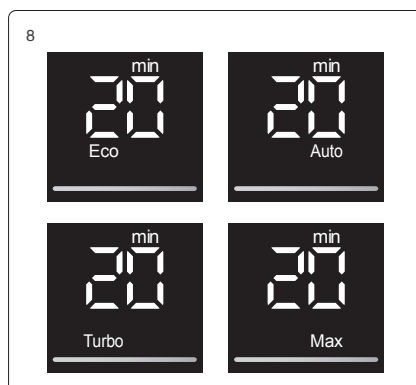
Remarque:

1. lorsque la puissance de la batterie est inférieure ou égale à ≤ 20 %, la machine passe automatiquement en mode Eco lorsqu'elle est en vitesse Max. Lorsque la batterie est épuisée, la machine s'éteint.
2. Si l'aspirateur est laissé au repos pendant une longue période, rechargez la batterie tous les trois mois pour éviter une défaillance de la batterie.

Utilisation de l'aspirateur à main et du contenu de l'écran LED



Retirez l'aspirateur du support de rangement, appuyez sur le bouton marche/arrêt pour démarrer ou arrêter l'aspirateur. Le bouton Mode permet de régler le mode de fonctionnement. Lorsque l'appareil est allumé, il fonctionne en mode Auto, appuyez sur le bouton mode pour passer au mode Turbo- Max - Eco-Auto.



Le milieu de l'écran LED affiche le temps de fonctionnement restant du produit dans le mode actuel. Lorsque le mode est modifié, le temps de fonctionnement restant change également en conséquence.

Lorsque le produit fonctionne en mode Max et que la puissance de la batterie tombe en dessous de 20 %, pour prolonger la durée de fonctionnement du produit, celui-ci passe automatiquement du mode Max au mode Eco. Une fois la batterie chargée à plus de 20 %, le produit peut fonctionner en mode Max.

Lorsque le produit fonctionne en mode Auto, il ajuste la puissance de travail en fonction de la teneur en poussière et du type de sol qu'il détecte, afin d'obtenir une plus grande efficacité de nettoyage. En mode Auto, l'écran LED affiche Auto quelle que soit la puissance de travail.

Le produit est équipé d'un capteur de teneur en poussière. Sur l'écran LED inférieur se trouve une bande lumineuse qui affiche la teneur en poussière. Lorsque la teneur en poussière diminue, la couleur rouge diminue et la couleur bleue augmente. Lorsque la bande est complètement bleue, la surface de nettoyage est propre. La propreté de la surface de nettoyage

peut être affichée visuellement sur l'écran LED.

Utilisation du tube métallique flexible

Le tube métallique flexible a deux modes : vertical et de flexion. Le mode vertical est équivalent au tube métallique normal. Le mode de pliage peut être utilisé pour nettoyer sous le canapé, la table ou le lit, etc. Lorsque le mode flexion est nécessaire, appuyez sur le bouton de déclenchement et le tube métallique peut atteindre un angle de flexion de 0-90°.

Utilisation de la tête de plancher électrique

La tête de plancher électrique convient à tous les types de sols, tels que les sols durs, les carrelages et les moquettes, etc. Le produit est livré avec une brosse à tapis supplémentaire qui peut être remplacée par la tête de plancher électrique pour nettoyer les tapis en profondeur.

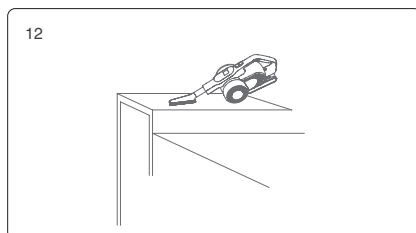
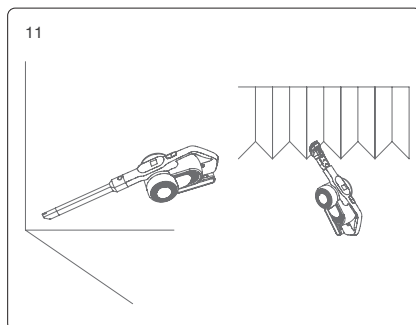
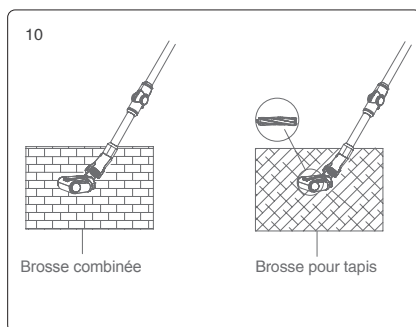
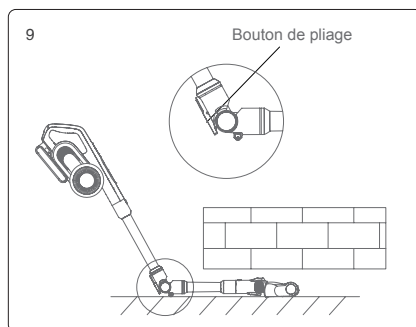
Attention : Pendant le fonctionnement de la tête de sol électrique, s'il y a un grand volume de matières étrangères inhalées ou trop de fibres enroulées, ou même un enfant dans le jeu de la machine a mis par erreur sa main dans la buse, ce qui entraîne l'arrêt anormal de la brosse, la tête de sol électrique s'arrêtera de fonctionner, afin de protéger la sécurité des personnes et le moteur de la brosse.

Utilisation des accessoires

Outil de crevasse flexible: Le suceur plat peut être plié en angle avec la lumière LED dans la tête. Il convient pour le nettoyage des fentes, des coins de portes et de fenêtres et d'autres espaces étroits ainsi que des zones difficiles à atteindre.

Outil de tapisserie d'ameublement: il convient au nettoyage des placards, des rebords de fenêtres, des canapés et des tables.

Brosse douce: il convient au nettoyage des meubles faciles à rayer comme les bibliothèques, les objets d'artisanat, etc.



Tête de matelas électrique : il convient au canapé et au matelas. Le rouleau de brosse bat puis nettoie les acariens et les allergènes du canapé ou du lit profond.

Connecteur: il peut être connecté à d'autres outils et se plier à différents angles pour nettoyer la poussière sur le dessus des armoires hautes ou la poussière sur le toit.

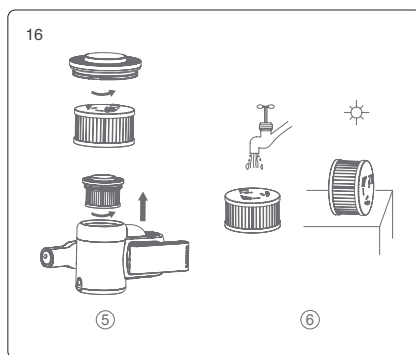
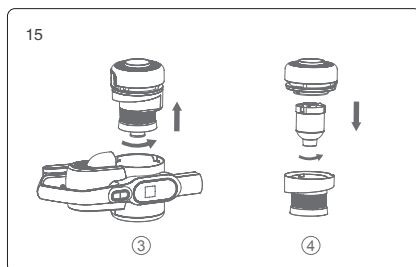
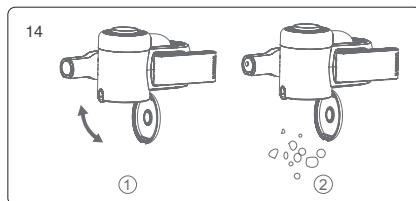
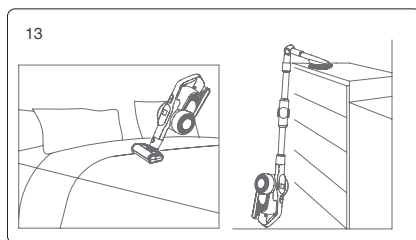
Nettoyage et remplacement des pièces

Attention :

1. Le filtre HEPA est disponible à la vente auprès des distributeurs locaux d'aspirateurs.
2. Il est recommandé de nettoyer le bac à poussière après chaque utilisation. Lorsque le bac à poussière est plein ou que le filtre HEPA est bouché, il faut le nettoyer et le remplacer si nécessaire. Le rouleau de la brosse électrique peut s'emmêler avec les cheveux après une longue utilisation. Il doit être nettoyé à temps pour que l'aspirateur fonctionne plus efficacement.

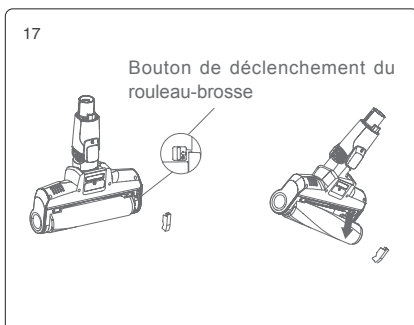
Nettoyer le bac à poussière et les filtres

1. Appuyez sur le couvercle inférieur du godet à poussière pour ouvrir le couvercle inférieur du godet à poussière. Fig ①
2. Jetez la poussière dans la poubelle. Fig ②
3. Tenez le couvercle du godet à poussière et tournez-le dans le sens inverse des aiguilles d'une montre, retirez l'ensemble cyclone du godet à poussière pour le nettoyer. Fig ③
4. Tourner le cyclone dans le sens inverse des aiguilles d'une montre, démonter le cyclone pour le nettoyer. Fig ④
5. Tenez le couvercle HEPA et tournez-le dans le sens inverse des aiguilles d'une montre, retirez l'ensemble HEPA du couvercle supérieur, puis tournez le couvercle HEPA pour retirer le HEPA du couvercle afin de le nettoyer. Fig ⑤
6. Si le HEPA doit être lavé, tenez le HEPA et tournez-le dans le sens des aiguilles d'une montre, puis retirez-le du couvercle du HEPA pour le laver. Le HEPA doit être complètement sec avant d'être réutilisé. Fig ⑥
7. Après le nettoyage, remontez les pièces dans l'ordre inverse du démontage.



Nettoyage du rouleau de brosse

1. Déplacez le bouton de libération de la brosse dans le sens de la flèche pour retirer le couvercle de la brosse.
2. Retirer une extrémité de la brosse et la sortir de la buse pour la nettoyer.
3. Après avoir nettoyé ou remplacé la brosse, remontez-la dans l'ordre inverse du démontage.



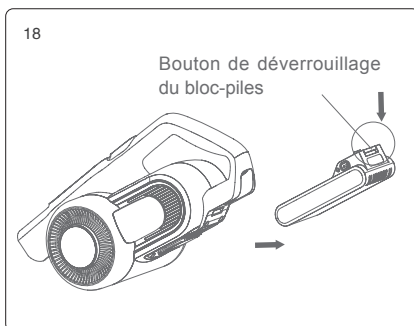
Rangement des aspirateurs

Démontage du bloc-piles

Appuyez sur le bouton de déverrouillage du bloc-piles, tirez le bloc-piles vers l'arrière et placez-le dans un sac en plastique, puis rangez-le dans un endroit sec.

Stockage du produit

Lorsque l'aspirateur est longtemps à l'arrêt, retirez le bloc-piles, emballez la machine et rangez-le dans un endroit frais et sec, ne le mettez pas en plein soleil ou dans un environnement humide.



Notes de Sécurité

Cet aspirateur est conçu pour un usage domestique. Ne l'utilisez pas à des fins commerciales ou autres.

Veuillez lire attentivement ce manuel d'instructions avant de l'utiliser et le conserver correctement pour une utilisation ultérieure.

Ne placez pas l'aspirateur à proximité d'un feu ou d'une autre installation à haute température.

N'utilisez pas ou ne stockez pas la machine dans des conditions extrêmement mauvaises, par exemple, une température extrême. Il est recommandé de l'utiliser à l'intérieur, à une température comprise entre 5 °C et 40 °C. Stockez la machine dans un endroit sec et évitez la lumière directe du soleil.

Chargez complètement la batterie avant la première utilisation ou après un long stockage.

Avant d'utiliser l'aspirateur, assurez-vous que le rouleau de brosses est assemblé, sinon cela peut entraîner un blocage du ventilateur du moteur, et donc une panne du moteur.

Veuillez ne pas utiliser l'aspirateur pour aspirer du détergent, de l'huile, des scories de verre, des aiguilles, des cendres de cigarettes, de la poussière humide, de l'eau, des allumettes, etc.

N'utilisez pas l'aspirateur pour ramasser de petites particules telles que du ciment, de la poudre de plâtre, de la poudre de mur, ou de gros objets tels que des boules de papier, sinon cela entraînera des dysfonctionnements tels qu'un blocage et une panne de moteur.

Évitez de bloquer l'entrée d'air ou la brosse, cela pourrait entraîner une panne du moteur.

Ne mettez pas votre main ou votre pied dans l'entrée de la tête du plancher pour éviter de vous blesser.

Ne versez pas ou n'éclaboussez pas d'eau ou d'autres liquides dans la machine afin d'éviter tout court-circuit et de brûler la machine.

Si la brosse ne fonctionne pas, vérifiez si elle n'est pas empêtrée dans des cheveux ou d'autres fibres longues et nettoyez-la à temps.

En cas de stockage prolongé de la machine, assurez-vous que la batterie est entièrement chargée avant le stockage et chargez la machine au moins tous les trois mois.

Débranchez le chargeur pour nettoyer ou réparer la machine. Tenez le chargeur lorsque vous le branchez ou le débranchez, et ne tirez pas sur le cordon de charge.

Utilisez un chiffon sec pour nettoyer la machine. Les liquides tels que l'essence, l'alcool ou le diluant pour laque peuvent provoquer des fissures ou une décoloration et ne doivent pas être

utilisés.

Si la machine ne fonctionne pas après avoir été complètement chargée, elle doit être vérifiée et réparée dans notre bureau désigné, veuillez ne pas démonter la machine par vous-même.

La machine mise au rebut contient des piles. Elles doivent être recyclées en toute sécurité. Ne les jetez pas au hasard.

Si le cordon d'alimentation est endommagé, pour éviter tout danger, il doit être remplacé ou réparé par le fabricant, repair ou un professionnel.

Cet appareil peut être utilisé par des enfants à partir de 8 ans et des personnes ayant des capacités physiques, sensorielles ou mentales réduites ou un manque d'expérience et de connaissances s'ils ont reçu une supervision ou des instructions concernant l'utilisation de l'appareil en toute sécurité et s'ils comprennent les risques encourus.

L'appareil ne doit être utilisé qu'avec le bloc d'alimentation fourni.

Résolution des problèmes

Veuillez vérifier les points suivants avant d'envoyer l'appareil à l'agent de réparation désigné.

Trouble	Causes possibles	Solutions
Le moteur ne fonctionne pas	La batterie n'est pas alimentée	Chargez l'aspirateur
	Le tube métallique, la tête de plancher, le bloc-piles et l'aspirateur ne sont pas assemblés correctement	Vérifiez que les accessoires sont correctement assemblés à l'aspirateur
Gouttes d'aspiration	Tasse à poussière pleine	Nettoyez le godet à poussière
	Filtre bloqué	Nettoyez ou remplacez le filtre
	Passage d'air de la tête de plancher bloqué	Nettoyez le passage d'air de la tête de plancher
Temps de travail court après la charge	La machine n'est pas complètement chargée	Suivez le manuel d'instructions pour charger complètement le bloc-piles
	Batterie vieillissante	Des batteries neuves peuvent être achetées auprès d'un distributeur local
Le témoin du niveau de poussière sur l'écran LED est toujours rouge.	Capteur couvert de poussière	Nettoyez la poussière sur le capteur de poussière qui se trouve dans l'entrée d'aspiration de l'aspirateur à main

Avertissement

1. Lorsque le chemin d'air ou le filtre HEPA est bouché ou que le godet à poussière est plein, il y aura une icône de rappel de nettoyage HEPA sur l'écran LED. Si la machine fonctionne en mode Max, elle passera automatiquement en mode Eco jusqu'à ce que le blocage soit nettoyé.

2. Lorsque la brosse est emmêlée par des corps étrangers, continuer à utiliser le produit activera la protection contre le blocage de la brosse. L'écran LED affichera F0 et le produit cessera de fonctionner jusqu'à ce que la brosse soit nettoyée.

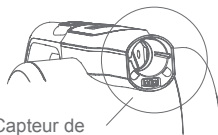
3. Si le voyant de niveau de poussière sur l'écran est toujours rouge, le capteur de poussière peut être couvert de poussière, alors veuillez nettoyer la poussière sur le capteur de poussière qui est situé dans l'entrée d'aspiration de l'aspirateur à main.

4. Lorsqu'il y a un défaut dans les composants électriques, qui nécessite un service après-vente professionnel pour l'instruction ou la réparation, l'écran LCD affiche un avertissement de défaut avec un code d'erreur de F1 à F8. Veuillez contacter le service après-vente de l'agent local et fournir le code d'erreur.

19



20



2pcs Capteur de
poussière

Les défauts de F0 à F9 sont les suivants:

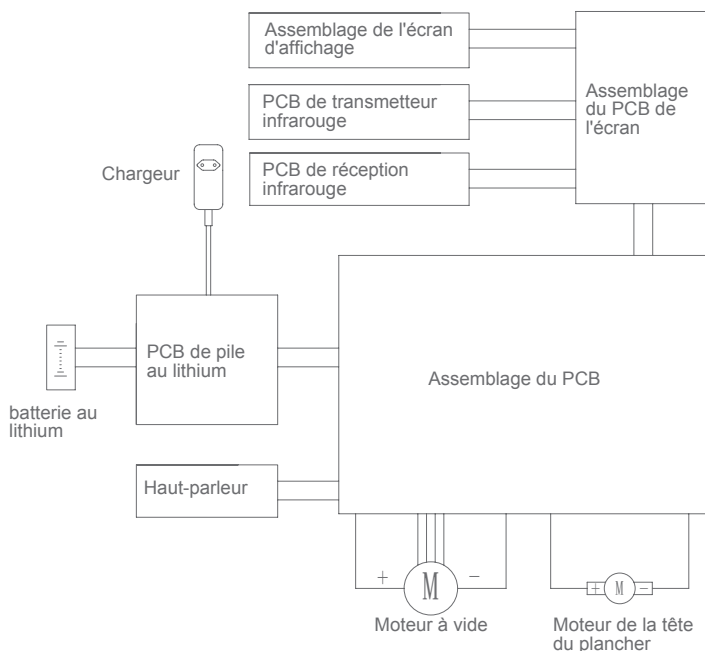
Code	Defect	Solutions
F0	Rouleaux de brosse enchevêtrés dans des corps étrangers et bloqués	Nettoyer la brosse du rouleau pour éliminer les corps étrangers
F1	La bande de nickel du bloc-piles est cassée	Remplacez ou réparez le bloc-piles
F2	Défaut du chargeur	Remplacez le chargeur
F3	Court-circuit du moteur à vide	Remplacez le moteur d'aspiration
F4	Défaut des éléments du bloc-piles	Remplacez ou réparez le bloc-piles
F5	2ème protection contre les surintensités pour le moteur d'aspiration	Remplacer le moteur d'aspiration
F6	1ère protection contre les surintensités pour le moteur d'aspiration	Remplacer le moteur d'aspiration
F7	Défaut du PCB ou fil du PCB desserré	Remplacez le PCB ou le fil du PCB
F8	Anomalie NTC dans le bloc-piles	Éteignez et attendez que le bloc-piles refroidisse avant de le rallumer. Si ce code d'erreur est toujours affiché, remplacez le bloc-piles
F9	Court-circuit du moteur de la brosse	Remplacer la tête du plancher

Attention : Si d'autres pannes se produisent, qui nécessitent des outils professionnels, afin d'éviter tout danger, la machine doit être réparée ou remplacée par le fabricant, d'autres bureaux de maintenance ou des professionnels de bureaux similaires.

Spécifications techniques

N° du modèle	H10 Flex
Tension nominale	28.8V---
Puissance nominale	650W
Tension d'entrée de l'adaptateur	100-240V ~ 50/60 Hz 0.8A
Tension de sortie de l'adaptateur	34.2V--- 0.6A
Tête de sol électrique N° de modèle	T-EB110VA
Puissance nominale de la tête de plancher électrique	50W
Capacité du pack batterie	3000mAh
Capacité de la batterie	5h

Schéma du circuit



Informations sur le fabricant

Fabricant	Kingclean Electric Co., Ltd
Adresse	No.1 Xiangyang road, Suzhou New District, Jiangsu province, 215009, China



Mise au rebut

La machine, les accessoires et l'emballage doivent être triés pour un recyclage respectueux de l'environnement.



Ne pas jeter la machine dans les ordures ménagères !

Uniquement pour les pays de la CE :

Conformément à la directive européenne 2012/19/UE, les machines qui ne sont plus utilisables, et conformément à la directive européenne 2006/66/CE, le bloc de piles/batteries défectueux ou usagé, doivent être collectés séparément et éliminés de manière écologique.

Bloc de piles/batteries:

Les batteries intégrées ne peuvent être retirées pour être éliminées que par du personnel qualifié.

L'ouverture de la coque du boîtier peut endommager ou détruire la machine.

Ne pas jeter les blocs de batteries/piles dans les ordures ménagères, le feu ou l'eau. Le bloc de piles/batteries doit, si possible, être déchargé, collecté, recyclé ou éliminé d'une manière respectueuse de l'environnement.

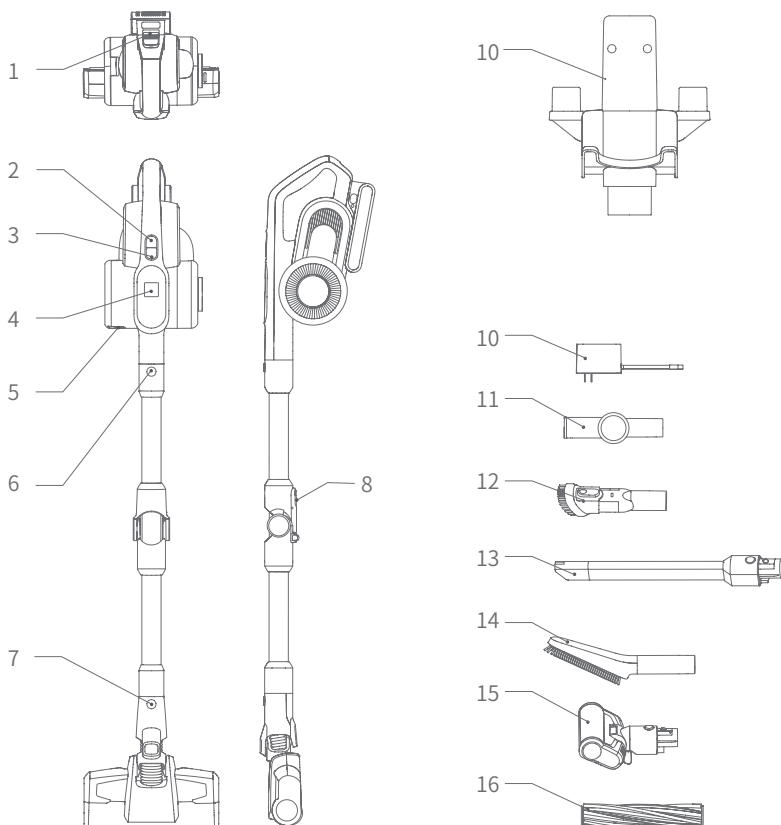
Sous réserve de modifications sans préavis. s.

Informations sur la garantie

Ce produit est couvert par une garantie de deux ans à compter de la date d'achat.

Elle ne couvre pas l'usure normale, l'utilisation commerciale, les modifications apportées à l'équipement après l'achat, les activités de nettoyage, la mauvaise utilisation, les dommages causés par l'acheteur ou par des tiers, les dommages imputables à l'environnement extérieur.

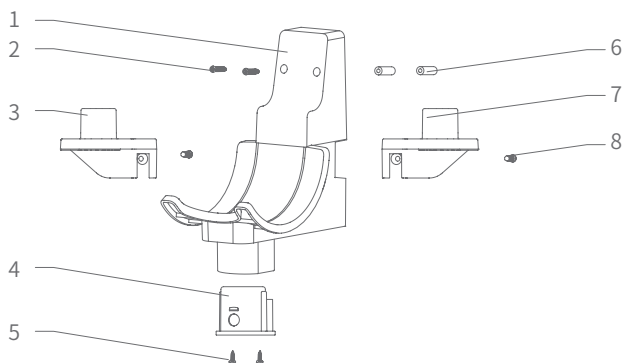
Denominazione parti aspirapolvere



- 1. Pulsante rilascio batteria
- 3. Pulsante MODE
- 5. Pulsante rilascio contenitore polvere
- 7. Pulsante rilascio spazzola
- 9. Supporto di stoccaggio
- 11. Connettore
- 13. Accessorio per fessure flessibile
- 15. Spazzola motorizzata materasso

- 2. Pulsante On/Off
- 4. Schermo LED
- 6. Pulsante rilascio tubo
- 8. Pulsante rilascio snodo
- 10. Alimentatore
- 12. Bocchetta imbottiti 2in1
- 14. Spazzola morbida
- 16. Spazzola per tappeti

Denominazione parti supporto

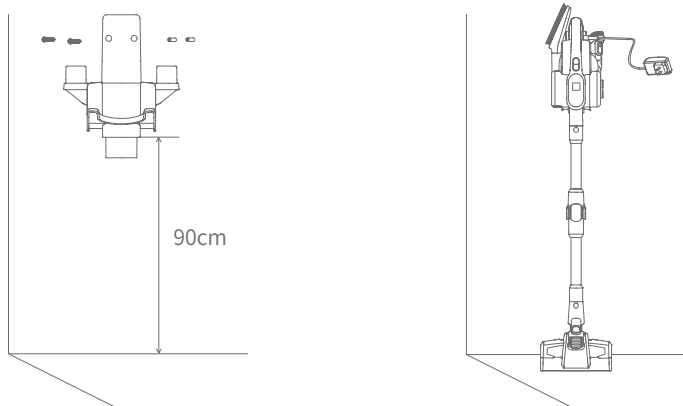


- | | |
|-------------------------------|---------------------------------|
| 1.Supporto macchina | 2.Viti ST4-32*2 |
| 3.Supporto accessori destro | 4.Supporto spazzola motorizzata |
| 5.Viti ST3-12*2 | 6.Tubo di espansione |
| 7.Supporto accessori sinistro | 8.Viti ST4-16*2 |

Montaggio del supporto di ricarica

- 1.Fissare il supporto per accessori destro e sinistro al supporto di ricarica mediante le viti.
- 2.Posizionare la scopa elettrica sul supporto e appoggiare contro il muro, quindi posizionare il supporto in modo che la spazzola tocchi quasi terra, l'altezza consigliata è di 90cm. Rimuovere l'aspirapolvere dal supporto, posizionare il tubo di espansione sulla parete e avvitare.
- 3.Una volta terminato il montaggio, riporre la scopa elettrica sul supporto di carica per la ricarica o lo stoccaggio.

Attenzione: Non fissare il supporto in bagno o su pareti umide.



Lista imballaggio

Nome	Aspirapolvere portatile	Spazzola motorizzata principale Electric floor head	Tubo metallico flessibile	Battery pack
Quantità	1	1	1	1
Nome	Accessorio per fessure flessibile	Spazzola morbida	Connettore	Bocchetta imbottiti 2in1
Quantità	1	1	1	1
Nome	Spazzola per tappeti	Alimentatore	Spazzola motorizzata per materasso	Supporto macchina
Quantità	1	1	1	1
Nome	Supporto accessori sinistro	Supporto accessori destro	Kit viti	Manuale d'uso
Quantità	1	1	1	1

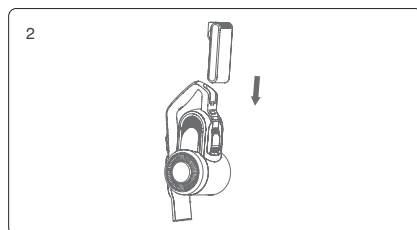
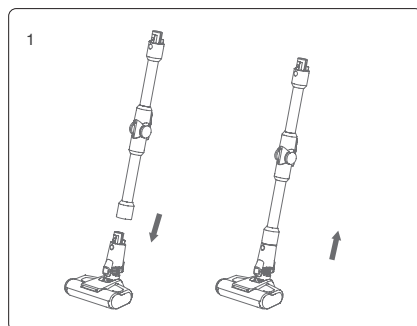
Installazione dell'aspirapolvere

Assemblaggio e disassemblaggio della spazzola motorizzata principale con il tubo metallico flessibile

Prendere la spazzola motorizzata principale con la mano sinistra, usare la mano destra per inserire il tubo metallico verticalmente sulla spazzola, allineare e premere finché non si sente il "click".

Attenzione: tenere l'impugnatura e la spazzola motorizzata nella stessa direzione, in modo da essere allineati con la presa.

Durante l'imballaggio, la conservazione o la pulizia, se la spazzola motorizzata principale necessita di essere rimossa, tenere la spazzola, premere il pulsante di rilascio della spazzola e tirare il tubo di metallo nella direzione mostrata dalla freccia nell'immagine, quindi estrarre la spazzola motorizzata principale.



Installazione della batteria con l'aspirapolvere portatile

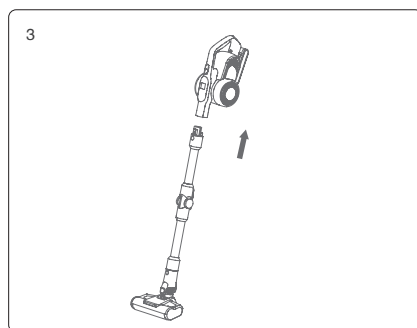
Prendere la batteria, allineare con la fessura di guida sul corpo dell'aspirapolvere portatile, inserire la batteria nella direzione della freccia come nell'immagine; quindi tirare la batteria dopo l'installazione per assicurarsi che non si allenti.

Attenzione: quando l'aspirapolvere rimane fermo per molto tempo, si prega di rimuovere la batteria, imballare l'aspirapolvere e conservarlo in un luogo fresco e asciutto; evitare la luce diretta del sole o ambienti umidi.

Installazione della spazzola motorizzata principale e del tubo metallico flessibile con l'aspirapolvere portatile

Innanzitutto, installare la spazzola motorizzata ed il tubo metallico flessibile seguendo la metodologia sopra descritta.

Dopodiché, come evidenziato dalla freccia, allineare il tubo metallico flessibile all'aspirapolvere portatile e spingere il tubo metallico verso l'alto finché non si sente un "click".

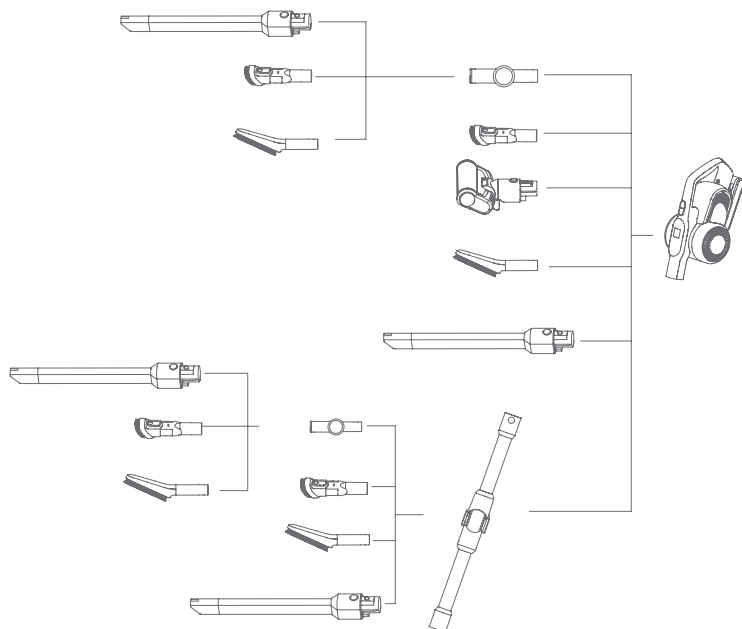


Installazione degli accessori

Per comodità di utilizzo, questo prodotto è equipaggiato di alcuni accessori per la parte portatile dell'aspirapolvere. Quando si utilizza solamente la parte portatile dell'aspirapolvere è possibile connettere direttamente gli accessori in base alle necessità oppure collegare gli accessori tramite il tubo flessibile.

Nome	Modello	H10 Flex
Spazzola motorizzata per materasso		
Bocchetta imbottiti 2in1		
Accessorio per fessure flessibile		
Spazzola morbida		
Connettore		
Spazzola per tappeti		

Lista combinazioni degli accessori



Utilizzo dell'aspirapolvere

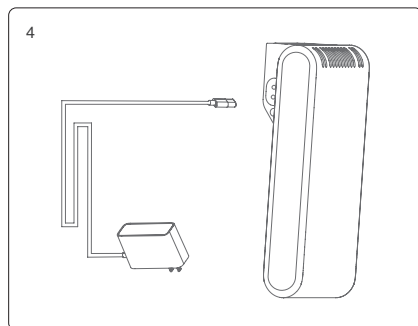
l'aspirapolvere

Attenzione:

1. Quando si utilizza l'apparecchio per la prima volta, la carica della batteria non è piena. È necessario ricaricare l'aspirapolvere prima dell'utilizzo.
2. Se il cavo di alimentazione è danneggiato, per evitare pericoli, esso può essere riparato o sostituito esclusivamente dal centro assistenza del produttore.

L'apparecchio può essere ricaricato in 2 modi:

1. Ricaricare la batteria separatamente: collegare un'estremità dell'alimentatore alla porta di ricarica della batteria e l'altra estremità alla presa elettrica. In questo modo, quando la carica è in corso, l'indicatore sul lato della batteria sarà rosso e diventerà verde quando la carica è completa.



2. Ricaricare la batteria con l'aspirapolvere: collegare un'estremità dell'alimentatore alla porta di ricarica della batteria e l'altra estremità alla presa di corrente. Lo schermo LED mostrerà la percentuale di ricarica della batteria. Quando la carica è completa, indicherà la percentuale del 100%.

Attenzione:

1. quando il livello di carica della batteria è $\leq 20\%$, se la macchina sta aspirando in modalità MAX, passerà automaticamente alla modalità ECO. Quando la carica della batteria si esaurisce, la macchina si spegne.
2. Se l'aspirapolvere rimane inattivo per lunghi periodi, ricaricare la batteria ogni 3 mesi per prevenire guasti alla stessa.

Utilizzo dell'aspirapolvere portatile e funzioni dello schermo LED

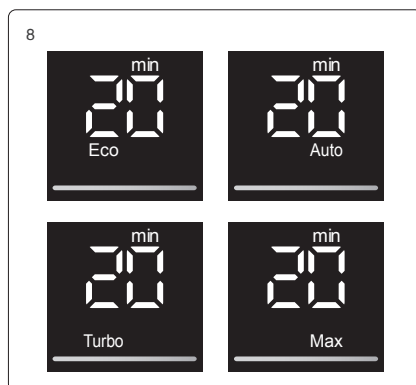
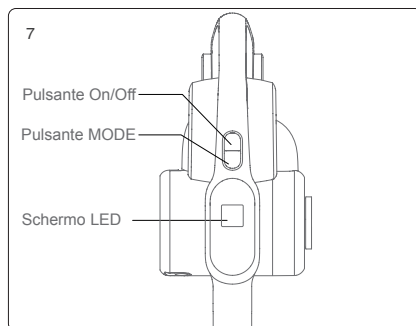
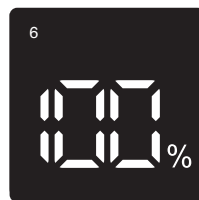
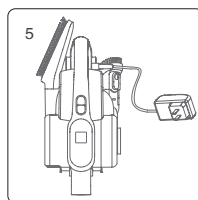
Estrarre l'aspirapolvere dal supporto, premere il pulsante On/Off per accendere o spegnere l'aspirapolvere. Il pulsante MODE regola la modalità di funzionamento. Quando l'apparecchio è acceso, aspira in modalità Auto, premere il pulsante MODE per passare alla sequenza di modalità Turbo- Max - Eco-Auto. Durante il cambio di aspirazione, la modalità in uso verrà mostrata sullo schermo LCD e verrà emesso un segnale vocale.

Nella parte centrale dello schermo LED viene indicata l'autonomia residua nella modalità in uso. Quando la modalità viene cambiata, l'autonomia residua si aggiorna di conseguenza.

Quando l'apparecchio lavora in modalità Max e la potenza della batteria scende al di sotto del 20%, per aumentare la durata, l'aspirapolvere cambierà automaticamente modalità di aspirazione da Max ad Eco. Dopo che la batteria è stata ricaricata, sarà possibile riprendere l'utilizzo in modalità Max .

Quando l'apparecchio aspira in modalità Auto , adatterà la potenza di aspirazione in base allo sporco presente ed alla superficie aspirata, in modo da garantire una pulizia efficiente. In modalità Auto , lo schermo LCD mostrerà Auto indipendentemente dalla potenza elevata.

Il prodotto è dotato di un sensore di rilevamento della concentrazione di polvere. Nella parte inferiore dello schermo a LED è presente una striscia luminosa che mostra il livello di concentrazione della polvere. Man mano che la concentrazione di polvere diminuisce dall'alto verso il basso, il colore rosso diminuisce e il colore blu aumenta. Quando la striscia



è completamente blu, la superficie è pulita. La pulizia della superficie può essere monitorata visivamente attraverso lo schermo a LED.

Utilizzo del tubo metallico flessibile

Il tubo flessibile ha 2 modalità d'uso: verticale e piegato. La modalità verticale è equivalente ad un normale tubo metallico. La modalità piegata può essere utilizzata per pulire sotto ai mobili, come divani, tavoli o letti. Quando si ha bisogno di piegare il tubo metallico, premere il pulsante di rilascio così potrà raggiungere un angolo di piegatura di 0-90°.

Utilizzo della spazzola motorizzata principale

La spazzola motorizzata principale può essere utilizzata per pulire tutti i tipi di pavimento, come pavimento duro, piastrelle, moquette, ecc. L'aspirapolvere è dotato di una spazzola per tappeti extra da poter sostituire per la pulizia di tappeti e superfici simili.

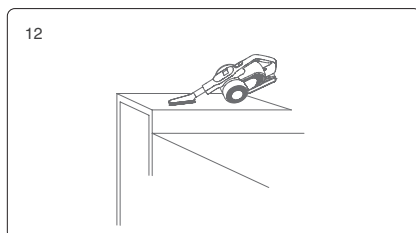
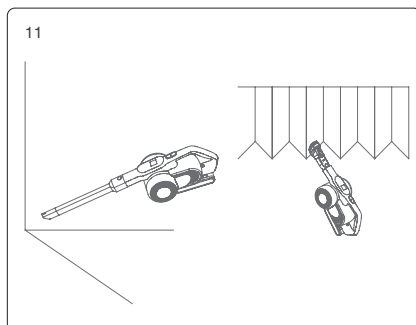
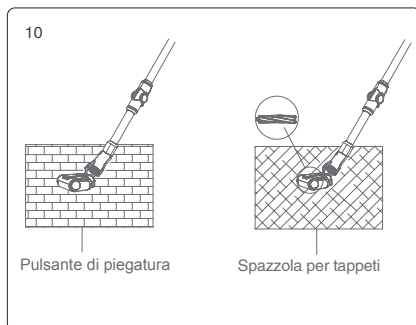
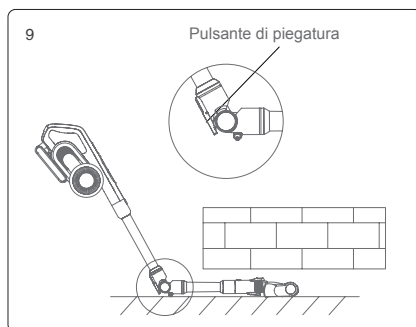
Attenzione: durante il funzionamento della spazzola motorizzata, qualora la spazzola dovesse erroneamente aspirare materiale voluminoso o dovesse avere fibre attorcigliate, o nel caso in cui un bambino abbia inserito una mano o un gioco nella spazzola, che hanno causato un arresto anomalo nella rotazione del rullo, la spazzola motorizzata si spegnerà, per proteggere la sicurezza personale e il motore della spazzola.

Utilizzo degli accessori

Accessorio per fessure flessibile: l'accessorio per fessure può essere piegato ad angolo verso la luce a LED della testata. Adatto per la pulizia di fessure, porte, infissi delle finestre e altri spazi stretti e difficili da raggiungere.

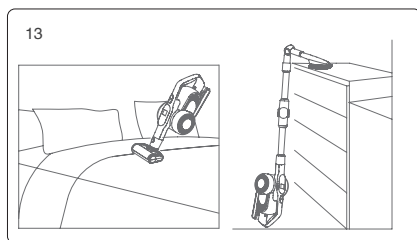
Bocchetta per imbottiti 2in1: adatta per la pulizia di armadi, davanzali, divani e tavoli.

Spazzola morbida: adatta per pulire facilmente mobili delicati, come librerie in legno, mobili artigianali, ecc.



Spazzola motorizzata per materassi: adatta per divani e materassi. Il rullo della spazzola batte e quindi rimuove gli acari della polvere e gli allergeni da divani e letti, anche in profondità.

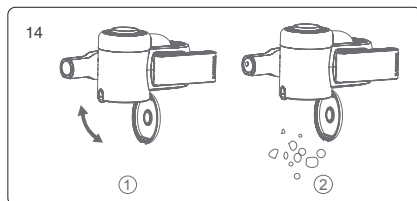
Connettore: può essere collegato agli altri accessori e piegato in diverse angolazioni per aspirare la polvere sopra i mobili alti.



Pulizia e sostituzione degli accessori

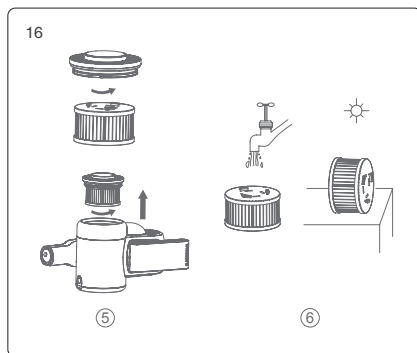
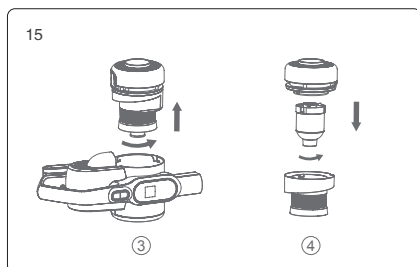
Attenzione:

1. Il filtro HEPA è in vendita presso i distributori locali.
2. È raccomandabile pulire il contenitore della polvere dopo ogni utilizzo; quando il contenitore è pieno o il filtro HEPA è ostruito, è necessario pulirlo e all'occorrenza sostituire il filtro. La spazzola motorizzata, dopo un utilizzo prolungato, potrebbe rimanere ostruita dai capelli. È necessario pulirla tempestivamente per mantenere l'aspirazione più efficiente.



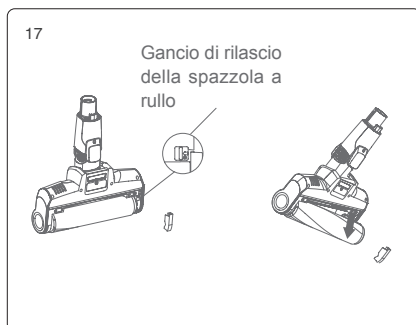
Pulizia del contenitore della polvere e dei filtri

1. Premere il coperchio inferiore del contenitore della polvere per aprire il coperchio e svuotarlo. Fig ①
2. Gettare la polvere nel cestino. Fig ②
3. Tenere il coperchio del contenitore della polvere e ruotarlo in senso antiorario, rimuovere il gruppo del ciclone dal contenitore della polvere per pulirlo. Fig ③
4. Ruotare il ciclone in senso antiorario, disinstallare il ciclone per pulirlo. Fig ④
5. Tenere il coperchio superiore e ruotarlo in senso antiorario, rimuovere il filtro HEPA e ruotarlo per estrarre il filtro HEPA per pulirlo. Fig ⑤
6. Se il filtro HEPA necessita di essere lavato, rimuoverlo dal coperchio superiore ruotandolo in senso orario. Il filtro HEPA deve essere completamente asciutto prima dell'utilizzo. Fig ⑥
7. Dopo la pulizia, reinstallare le parti nella sequenza inversa rispetto all'installazione.



Pulizia o sostituzione della spazzola a rullo

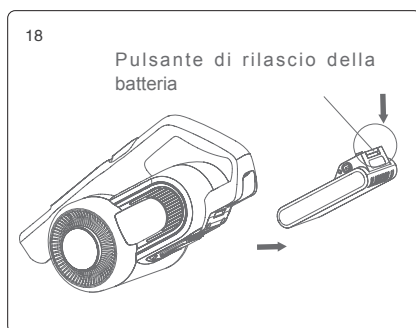
1. Spostare il gancio di rilascio della spazzola a rullo verso la direzione indicata dalla freccia per rimuovere la cover.
2. Rimuovere un lato della spazzola a rullo ed estrarla dall'ugello per la pulizia.
3. Dopo la pulizia o la sostituzione della spazzola a rullo, reinstallarla all'interno della spazzola seguendo la procedura inversa rispetto alla rimozione.



Conservazione dell'aspirapolvere

Rimozione della batteria

Premere il pulsante di rilascio della batteria, estrarre la batteria all'indietro e riporla in una busta di plastica, quindi conservarla in un luogo asciutto.



Conservazione dell'aspirapolvere

Quando l'aspirapolvere è fermo per un lungo periodo, rimuovere la batteria, imballare l'apparecchio e conservarlo in un luogo fresco e asciutto, non riporlo a diretto contatto con i raggi solari o in ambienti umidi.

Note di sicurezza

Questo aspirapolvere è stato progettato per uso domestico. Non utilizzare per scopi commerciali o altro.

Si prega di leggere questo manuale d'uso con attenzione prima dell'utilizzo e di conservarlo per riferimenti futuri.

Non tenere l'aspirapolvere vicino a fonti di calore o impianti ad alta temperatura.

Non utilizzare o conservare l'apparecchio in condizioni estreme, per esempio a temperature estreme. Si raccomanda l'utilizzo all'interno, ad una temperatura tra i 5 °C e i 40 °C. Conservare l'aspirapolvere in luoghi asciutti ed evitare la luce diretta del sole.

Eseguire una ricarica completa della batteria prima del primo utilizzo o dopo un periodo di fermo.

Prima dell'utilizzo, assicurarsi che la spazzola rotante sia installata correttamente, altrimenti potrebbe causare il blocco della ventola e bruciare il motore.

Si prega di non utilizzare l'aspirapolvere per aspirare detersivo, olio, schegge di vetro, aghi, cenere di sigaretta, polvere bagnata, acqua, fiammiferi, ecc.

Si prega di non utilizzare l'aspirapolvere per aspirare particelle piccole, come cemento, gesso in polvere, muro, oppure oggetti di grandi dimensioni, come palle di carta, altrimenti potrebbero causare malfunzionamenti come blocco e bruciatura del motore.

Evitare di bloccare la bocchetta di ingresso dell'aria o la spazzola rotante, potrebbe causare guasti al motore.

Non mettere le mani o i piedi nell'ingresso della spazzola per evitare infortuni.

Non versare e spruzzare acqua o altri liquidi sull'apparecchio per prevenire cortocircuiti ed il danneggiamento dello stesso.

Se la spazzola non funziona, verificare che sia libera da capelli o altre fibre lunghe e pulirla tempestivamente.

Quando non si utilizza l'apparecchio per un lungo periodo, assicurarsi che la batteria sia stata caricata completamente e ricaricarla ogni 3 mesi.

Scollegare il caricabatteria per pulire o riparare l'apparecchio. Sostenere il caricatore quando si collega o scollega, senza tirare il cavo.

Utilizzare un panno asciutto per pulire l'aspirapolvere. Non utilizzare liquidi come benzina, alcool, diluenti per smalto, ecc., che potrebbero causare crepe o lo sbiadimento dei colori.

Se l'apparecchio non funziona dopo una ricarica completa, deve essere controllato e riparato presso un centro assistenza; si prega di non smontare la macchina da soli.

L'apparecchio contiene batterie. Devono essere smaltite e riciclate in modo sicuro.

In presenza di danni al cavo di alimentazione rivolgersi al centro assistenza del produttore.

Questo aspirapolvere può essere utilizzato da bambini di età superiore agli 8 anni e persone con disabilità sotto supervisione oppure previa raccomandazione su utilizzo sicuro e rischi.

Utilizzare solo con l'alimentatore in dotazione con l'aspirapolvere.

Risoluzione dei problemi

Si prega di verificare i seguenti problemi prima di spedire i prodotti verso i centri assistenza designati.

Problema	Possibili cause	Soluzioni
Il motore non si avvia	La batteria non ha potenza	Ricarica l'aspirapolvere
	Il tubo metallico, la spazzola, la batteria o l'aspirapolvere portatile non sono installati correttamente.	Verificare che tutti gli accessori siano fissati correttamente all'aspirapolvere portatile
L'aspirazione è ridotta	Contenitore della polvere pieno	Pulire il contenitore della polvere
	Filtro ostruito	Pulire o sostituire il filtro HEPA
	Passaggio dell'aria bloccato o spazzola a rullo bloccata	Pulire la spazzola motorizzata e a rullo
Riduzione di autonomia	L'apparecchio non è completamente carico	Segui le istruzioni presenti sul manuale per ricaricare completamente la batteria
	Batteria vecchia	Acquistare una nuova batteria presso un distributore locale
L'indicatore di concentrazione della polvere sul display è sempre rosso	Il sensore di rilevamento della polvere è sporco	Rimuovere la polvere dal sensore che si trova nella presa di aspirazione dell'aspirapolvere portatile

Raccomandazioni

1. Quando il passaggio dell'aria o il filtro HEPA sono occlusi o il contenitore della polvere è pieno, sullo schermo appare l'icona di avviso di pulizia del filtro.

2. Quando la spazzola è occlusa o sono aggrovigliati oggetti estranei, se si continua ad utilizzare la scopa elettrica, si attiva la protezione del blocco della spazzola. Sullo schermo appare il codice F0 e la macchina resta ferma fino a che la spazzola non viene pulita.

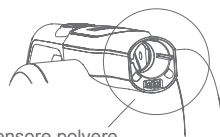
3. Se l'indicatore di concentrazione della polvere è sempre rosso, il sensore potrebbe essere sporco, si prega di rimuovere lo sporco dal sensore, il quale si trova in prossimità della bocchetta di aspirazione dell'aspirapolvere portatile.

4. Quando ci sono componenti elettriche difettose, che richiedono un intervento tecnico per la loro riparazione ed il ripristino, sullo schermo appare un codice di errore da F0 a F9. Si prega di contattare il servizio di assistenza fornendo il codice di errore.

19



20



2pz sensore polvere

Per gli errori da F0 a F9 vedere quanto segue:

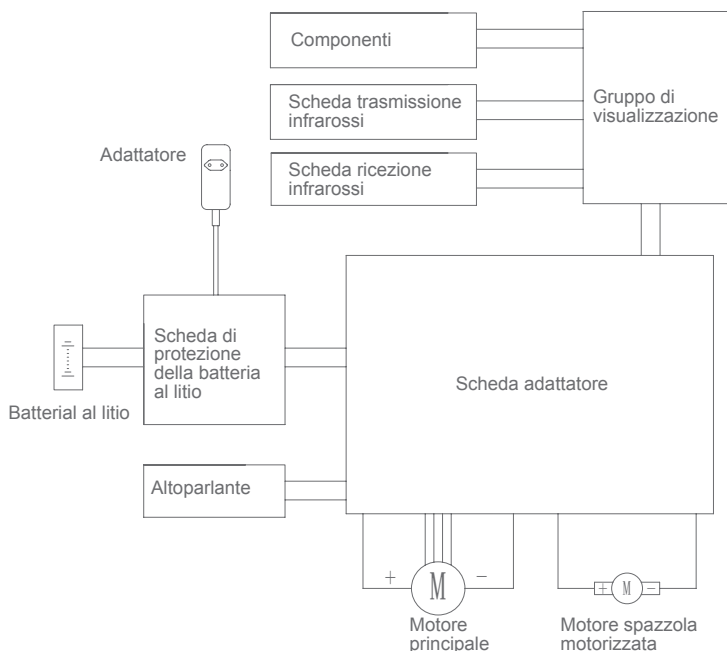
Code	Defect	Solutions
F0	Oggetti estranei impigliati sulla spazzola a rullo	Pulire la spazzola a rullo e rimuovere gli oggetti estranei
F1	La striscia di nichel della batteria è rotta	Riparazione o sostituzione della batteria
F2	Caricabatterie difettoso	Sostituzione caricabatterie
F3	Corto circuito al motore	Sostituzione motore
F4	Celle della batteria difettose	Sostituzione o riparazione della batteria
F5	Motore di aspirazione in sovraccarico di corrente 2nd	Sostituire il motore di aspirazione
F6	Motore di aspirazione in sovraccarico di corrente 1st	Sostituire il motore di aspirazione
F7	PCB difettoso o cavo PCB allentato	Sostituzione PCB o cavo PCB
F8	Batteria NTC anormale	Spegnere l'aspirapolvere e riaccendere dopo che la batteria si è raffreddata. Se il codice di errore non scompare, sostituire la batteria
F9	Corto circuito motorino spazzola	Sostituire la spazzola

Attenzione: qualora si verificassero altri guasti, che richiedono l'intervento di un professionista, al fine di prevenire pericoli, l'apparecchio dovrà essere riparato o sostituito presso il produttore, o i centri assistenza autorizzati.

Specifiche tecniche

Modello	H10 Flex
Tensione nominale	28.8V $\overline{---}$
Potenza nominale	650W
Tensione in ingresso dell'adattatore	100-240V ~ 50/60 Hz 0.8A
Tensione in uscita dell'adattatore	34.2V $\overline{---}$ 0.6A
Modello spazzola elettrica	T-EB110VA
Potenza nominale spazzola elettrica	50W
Capacità della batteria	3000mAh
Tempo di ricarica	5h

Schema elettrico



Informazioni sul produttore

Produttore	Kingclean Electric Co., Ltd
Indirizzo	No.1 Xiangyang road, Suzhou New District, Jiangsu province, 215009, China



Disposizione

La macchina, gli accessori e l'imballaggio devono essere suddivisi per un riciclo rispettoso dell'ambiente.



Non smaltire l'aspirapolvere e le sue parti assieme ai rifiuti domestici!

Solo per Paesi EC:

In accordo con la Direttiva Europea 2012/19/EU, i dispositivi elettronici non più utilizzabili, e secondo la Direttiva Europea 2006/66/CE, i pacchi/batterie difettosi o usati, devono essere raccolti separatamente e smaltiti nel rispetto dell'ambiente.

Pacchi batteria/Batterie:

Le batterie integrate possono essere rimosse per lo smaltimento solo da personale qualificato. L'apertura del guscio dell'alloggiamento può danneggiare o distruggere la macchina. Non smaltire le batterie/pacchi batteria nei rifiuti domestici, nel fuoco o nell'acqua. Se possibile, i pacchi batteria/le batterie devono essere scaricati, raccolti, riciclati o smaltiti nel rispetto dell'ambiente.

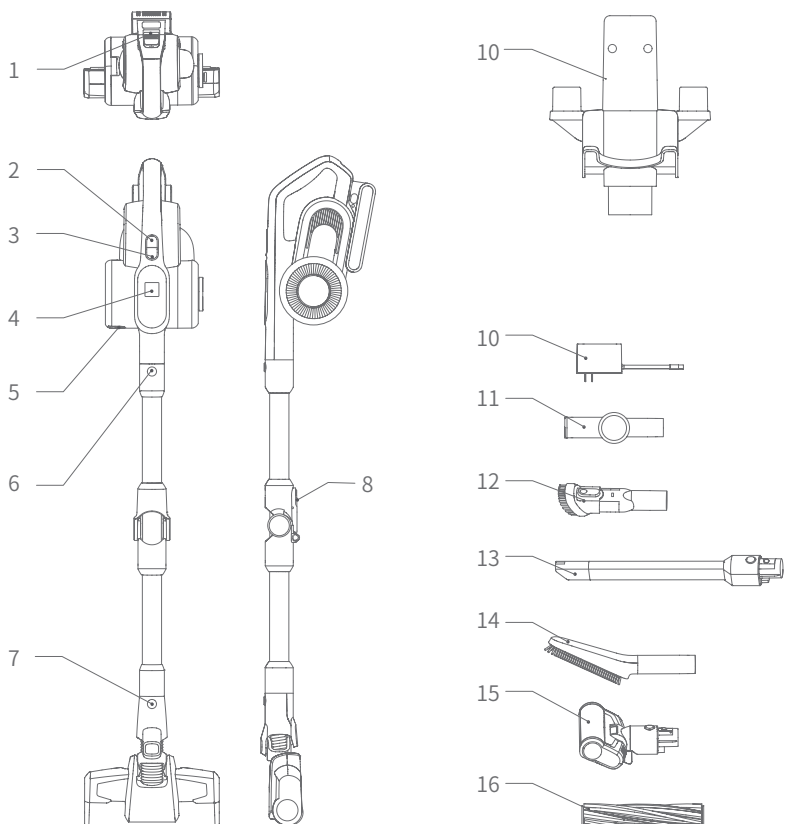
Con riserva di modifiche senza preavviso.

Informazioni sulla garanzia

Questo prodotto gode di due anni di garanzia dalla data di acquisto.

Sono escluse dalla garanzia la normale usura, l'uso commerciale, le alterazioni dell'apparecchio, le attività di pulizia non consone, l'utilizzo improprio o i danni causati da parte dell'acquirente o di terzi, danni imputabili a circostanze esterne.

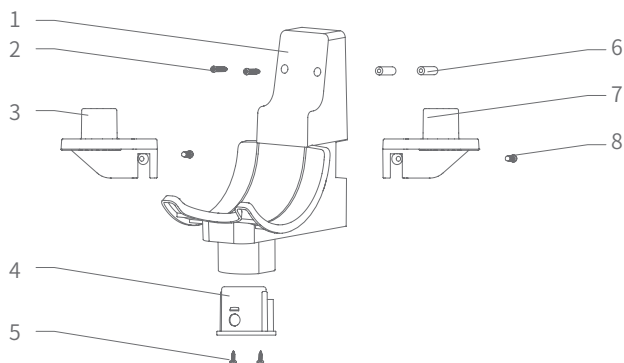
Nombre de las piezas



1. Botón de liberación de la batería
3. Botón de modo
5. Botón de liberación del fondo del bote de polvo
7. Botón de liberación del cabezal de tierra
9. Soporte de almacenamiento
11. Conector
13. herramienta para hendiduras
15. cepillo eléctrico para eliminar los ácaros

2. Interruptor de encendido/apagado
4. Pantalla LED
6. Botón de liberación del tubo de metal
8. Botón de liberación del plegado del tubo metálico
10. Adaptador
12. Herramienta para tapicería
14. cepillo suave
16. Rodillo cepillo para alfombras

Nombre de las piezas del soporte de almacenamiento

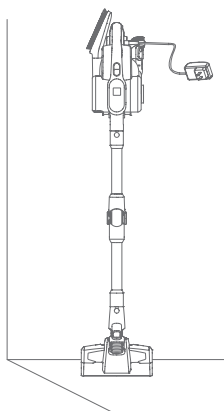
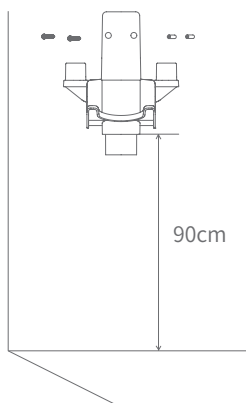


- | | |
|---|---|
| 1. Soporte de la máquina | 2. Tornillo ST4-32 *2 |
| 3. Soporte de accesorios a la derecha | 4. Soporte de la cabeza del colchón eléctrico |
| 5. Tornillo ST3-12 *2 | 6. Tubo de expansión |
| 7. Soporte de accesorios a la izquierda | 8. Tornillo ST4-16 *2 |

Conjunto de soportes de almacenamiento de accesorios

1. Monte los soportes de accesorios izquierdo y derecho en el soporte de carga y, a continuación, fije los soportes de accesorios con tornillos.
2. Coloque la aspiradora en el soporte, y apoye la aspiradora contra la pared, coloque el soporte en la posición que la cabeza de la aspiradora toque el suelo, altura propuesta 90cm. Quite la aspiradora de mano, coloque el tubo de expansión en la pared y coloque el soporte en la posición del tubo de expansión, luego fije el tornillo.
3. Una vez finalizado el montaje, coloque la aspiradora en el soporte cargador para cargarla o guardarla.

Nota: No fije el soporte al cuarto de baño o a otra pared húmeda.



Lista de embalaje

Nombre de la sala	Aspiradora de mano	Cabezal de suelo eléctrico	Tubo metálico flexible	paquete de baterías
Cantidad	1	1	1	1
Nombre de la sala	Herramienta flexible para hendiduras	Cepillo suave	Conector	Herramienta para tapicería
Quantity	1	1	1	1
Nombre de la sala	Rodillo cepillo para alfombras	Adaptador	Cepillo eléctrico para eliminar los ácaros	Montaje del soporte de la máquina
Quantity	1	1	1	1
Nombre de la sala	Soporte para accesorios izquierdo	Soporte para accesorios derecha	Paquete de tornillos	Manual del usuario
Quantity	1	1	1	1

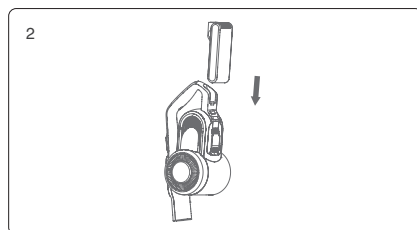
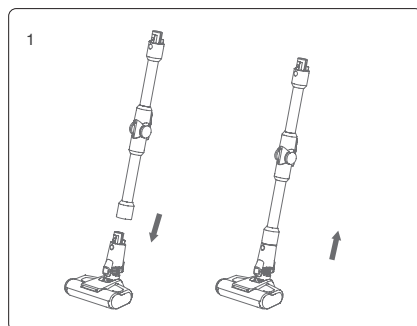
Montaje de la máquina

Montaje y desmontaje del cabezal de suelo eléctrico con tubo metálico flexible

Sujeta el cabezal de tierra con la mano izquierda, utiliza la mano derecha para introducir el tubo metálico verticalmente en el cabezal de tierra, alinéalo con la aguja conductora, presiona el tubo hasta que oigas un "clic".

Precaución: Mantenga el mango y la cabeza del suelo en la misma dirección, y la aguja conductora debe estar alineada con el enchufe.

Al embalar, almacenar o limpiar, si es necesario retirar el cabezal de suelo eléctrico, pulse el botón de liberación del cepillo y tire del tubo metálico en la dirección indicada en la foto para retirar el cabezal de suelo.



Montaje del paquete de baterías con la aspiradora de mano

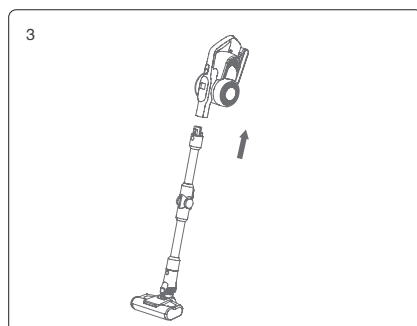
Sujete el paquete de baterías, alinéelo con la ranura de la guía en el cuerpo de la aspiradora de mano, deslícelo en la dirección de la flecha en la imagen. Después de la instalación, tire del paquete de baterías para asegurarse de que no se desprende.

Precaución: Cuando la aspiradora no se utilice durante un largo período de tiempo, por favor, retire la batería, empaque la máquina y guárdela en un lugar fresco y seco, evitando la luz solar directa o un ambiente húmedo.

Montaje del cabezal de suelo y del tubo metálico con la aspiradora de mano

En primer lugar, monte el cabezal de suelo y el tubo metálico según el método de montaje del cabezal de suelo eléctrico con el tubo metálico.

A continuación, como indica la flecha, alinee la aguja conductora del tubo metálico con el acoplamiento de la boquilla de aspiración de la aspiradora de mano, empuje el tubo metálico hacia arriba hasta que oiga un "clic".

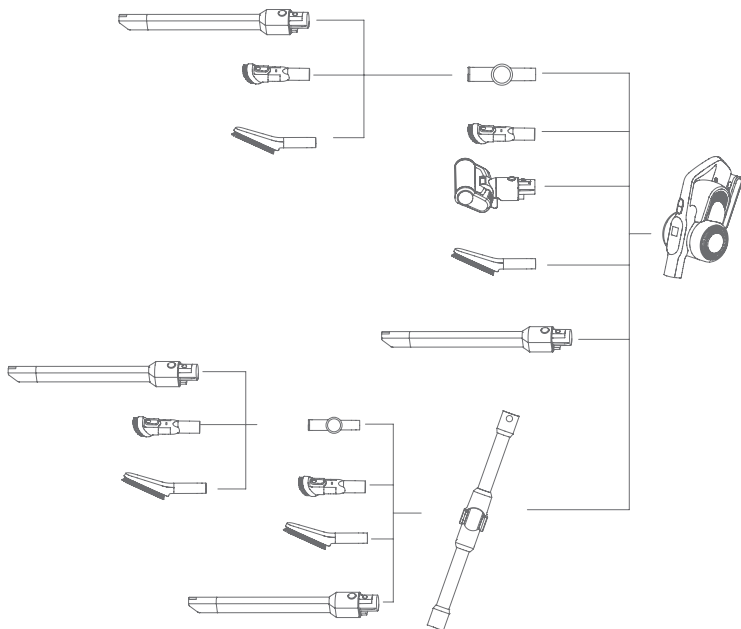


Montaje de los accesorios

Para facilitar su uso, este producto está especialmente equipado con algunos accesorios para la parte manual de la aspiradora. Si utiliza la aspiradora de mano sola, puede conectar los accesorios directamente según sus necesidades o conectar los accesorios a través de la manguera extensible.

Nombre	Modelo	H10 FLex
Cepillo eléctrico para eliminar los ácaros		
Herramienta para tapicería		
Herramienta flexible para hendiduras		
Cepillo para el polvo		
Conector		
Rodillo cepillo para alfombras		

Accesorios Lista de conexiones



Uso de la aspiradora

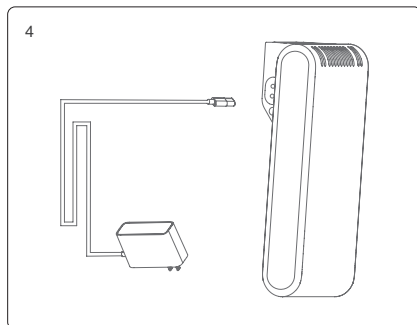
Carga

Precaución:

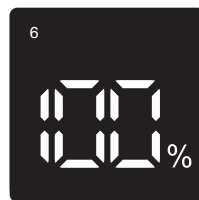
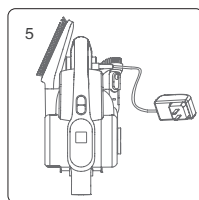
1. Cuando se utiliza el producto por primera vez, la batería no está llena. Es necesario cargar la aspiradora antes de utilizarla.
2. Si el cable de alimentación está dañado, para evitar peligros, debe ser sustituido por un profesional del fabricante, un agente de reparaciones o un servicio similar.

El producto puede cargarse de dos maneras:

1. Cargue la batería por separado: Conecta un extremo del cargador al conector de la batería y el otro extremo del cargador a la toma de corriente para cargar la batería directamente. De este modo, cuando la batería se está cargando, la luz del lateral del paquete de baterías es roja y se vuelve verde cuando la carga está completa.

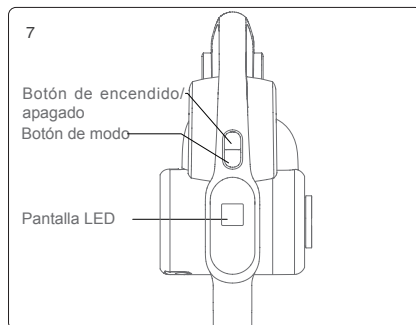


2. Cargue la batería en la máquina: Enchufe un extremo del cargador en el conector del paquete de baterías y el otro extremo del cargador en la toma de corriente para cargar la batería cuando el paquete de baterías esté montado en la aspiradora. La pantalla LED de la unidad mostrará el porcentaje de carga de la batería. Cuando la carga esté completa, la pantalla mostrará el 100%, como se muestra en las imágenes.



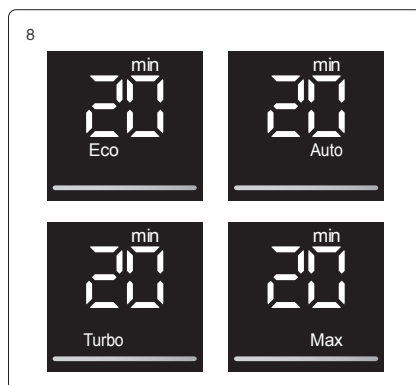
Precaución:

1. Cuando la energía de la batería es menor o igual a $\leq 20\%$, la máquina cambiará automáticamente a Eco cuando esté en marcha Max. Cuando la energía de la batería se agote, la máquina se apagará.
2. Si la aspiradora se deja inactiva durante un largo periodo de tiempo, recargue la batería cada tres meses para evitar que se estropee.



Uso de la aspiradora de mano y del contenido de la pantalla LED

Retire la aspiradora del soporte de almacenamiento, pulse el botón de encendido/apagado para poner en marcha o detener la aspiradora. El botón de modo se utiliza para ajustar el modo de funcionamiento. Cuando el aparato se enciende, funciona en modo Auto, pulse el botón de modo para cambiar al modo Turbo-Max - Eco-Auto.



El centro de la pantalla LED muestra el tiempo de funcionamiento restante del producto en el modo actual. Cuando se cambia el modo, el tiempo de funcionamiento restante también cambia en consecuencia.

Cuando el producto está funcionando en modo Max y la carga de la batería cae por debajo del 20%, para prolongar el tiempo de funcionamiento del producto, éste pasa automáticamente del modo Max al modo Eco. Una vez que la batería está cargada más del 20%, el producto puede funcionar en modo Max.

Cuando el producto funciona en modo automático, ajusta la potencia de trabajo según el contenido de polvo y el tipo de suelo que detecta, para conseguir una mayor eficacia de limpieza. En el modo automático, la pantalla LED muestra Auto independientemente de la potencia de trabajo.

El producto está equipado con un sensor de contenido de polvo. En la parte inferior de la pantalla LED hay una tira luminosa que muestra el contenido de polvo. A medida que el

contenido de polvo disminuye de alto a bajo, el color rojo disminuye y el color azul aumenta. Cuando la tira es completamente azul, la superficie de limpieza está limpia. La limpieza de la superficie de limpieza puede visualizarse a través de la pantalla LED.

Uso de tubo metálico flexible

El tubo metálico flexible tiene dos modalidades: vertical y de flexión. El modo vertical es equivalente al tubo metálico normal. El modo de flexión puede utilizarse para limpiar debajo del sofá, la mesa o la cama, etc. Cuando se requiera el modo de curvado, pulse el botón de liberación y el tubo metálico podrá alcanzar un ángulo de curvado de 0-90°.

Utilización del cabezal de suelo eléctrico

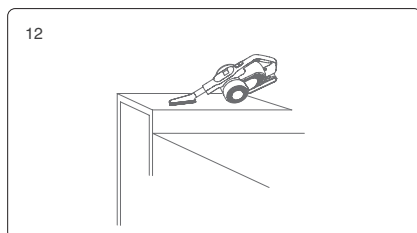
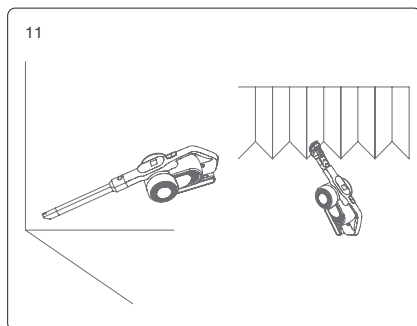
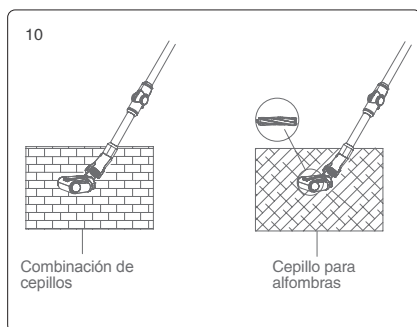
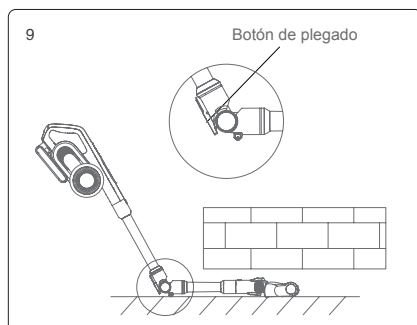
El cabezal eléctrico para suelos es adecuado para todo tipo de suelos, como suelos duros, baldosas y alfombras, etc. El producto viene con un cepillo adicional para alfombras que puede ser sustituido por el cabezal eléctrico para limpiar las alfombras a fondo.

Precaución: Durante el funcionamiento del cabezal eléctrico para suelos, si hay un gran volumen de materias extrañas inhaladas o demasiadas fibras enrolladas, o incluso si un niño en el juego de la máquina ha metido por error la mano en la boquilla, lo que hace que el cepillo se detenga anormalmente, el cabezal eléctrico para suelos dejará de funcionar, con el fin de proteger la seguridad de las personas y del motor del cepillo.

Uso de los accesorios

Herramienta flexible para hendiduras: La herramienta para hendiduras se puede doblar en ángulo con luz LED en el cabezal. Adecuado para la limpieza de grietas, puertas, esquinas de ventanas y otros espacios estrechos, así como zonas de difícil acceso.

Herramienta para tapicería: adecuada para limpiar armarios, alféizares, sofás y mesas.



Cepillo suave: adecuado para la limpieza de muebles fáciles de rayar como librerías, artesanías, etc.

Cabezal de colchón eléctrico: adecuado para el sofá y el colchón. El rodillo del cepillo golpea y limpia los ácaros del polvo y los alérgenos del sofá o de la cama profunda.

Conector: puede conectarse a otras herramientas y doblarse en diferentes ángulos para limpiar el polvo en la parte superior de los armarios altos o el polvo en el techo.

Limpieza y sustitución de piezas

Precaución:

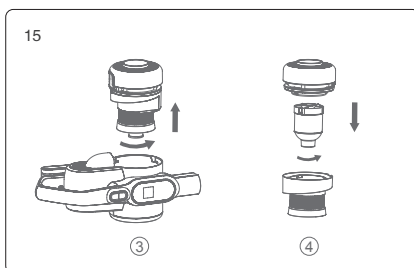
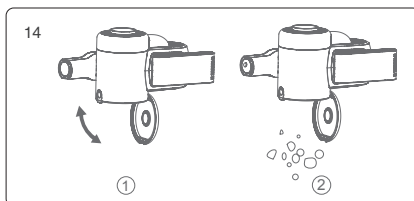
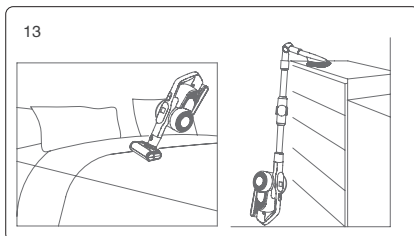
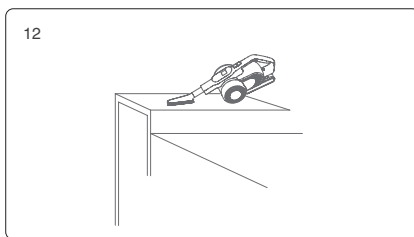
1. El filtro HEPA se puede adquirir en los distribuidores locales de aspiradoras.
2. Se recomienda limpiar el recogedor después de cada uso. Cuando el depósito de polvo está lleno o el filtro HEPA está obstruido, debe limpiarse y sustituirse si es necesario. El rodillo del cepillo eléctrico puede enredarse con el pelo después de un uso prolongado. Debe limpiarse a tiempo para que la aspiradora funcione con mayor eficacia.

Limpia el recogedor y los filtros

1. Presione la tapa inferior del depósito de polvo para abrir la tapa inferior del depósito de polvo.

Figura ①

2. Deseche el polvo en la papelera. Figura ②
3. Sujete la tapa del depósito de polvo y gírela en sentido contrario a las agujas del reloj, retire el conjunto del ciclón del depósito de polvo para limpiarlo. Figura ③
4. Gire el ciclón en sentido contrario a las agujas del reloj, desmonte el ciclón para su limpieza. Figura ④
5. Sujete la cubierta HEPA y gírela en sentido contrario a las agujas del reloj, retire el conjunto HEPA de la cubierta superior, luego gire la cubierta HEPA para retirar el HEPA de la cubierta para su limpieza. Figura ⑤



6. Si el HEPA necesita ser lavado, sujete el HEPA y gírelo en el sentido de las agujas del reloj, luego retírelo de la cubierta del HEPA para lavarlo. El HEPA debe estar completamente seco antes de volver a utilizarlo. Figura ⑥

7. Después de la limpieza, vuelva a montar las piezas en el orden inverso al del desmontaje.

Limpeza del rodillo de la brocha

1. Mueva el botón de liberación del cepillo en la dirección de la flecha para retirar la cubierta del cepillo.

2. Retira un extremo del cepillo y sácalo de la boquilla para limpiarlo.

3. Después de limpiar o sustituir la escobilla, vuelva a montarla en el orden inverso al del desmontaje.

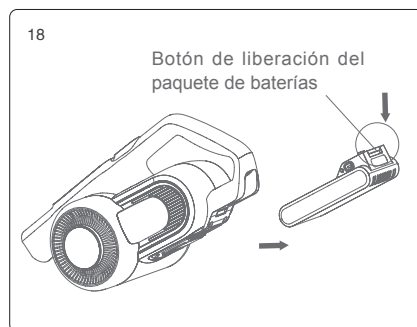
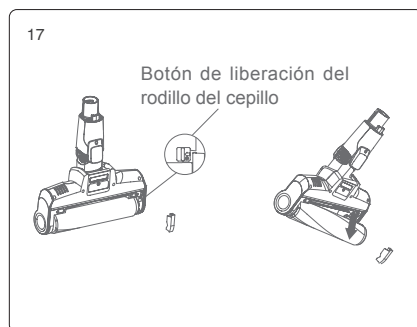
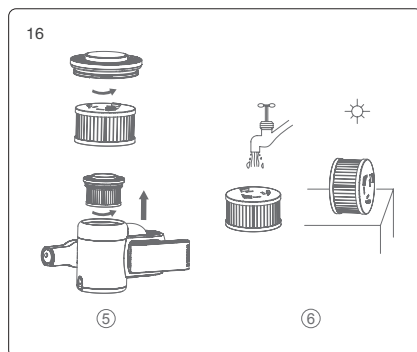
Guardar las aspiradoras

Extracción de la batería

Press the battery release button, pull battery pack out backward and place the battery in a plastic bag, then store it in a dry place.

Almacenamiento de productos

Cuando la aspiradora no se utilice durante mucho tiempo, extraiga el paquete de baterías, empaque la máquina y guárdela en un lugar fresco y seco, no la ponga a la luz directa del sol ni en un ambiente húmedo.



Notas de seguridad

Esta aspiradora está diseñada para uso doméstico. No lo utilice para fines comerciales o de otro tipo.

Por favor, lea atentamente este manual de instrucciones antes de utilizarlo y guárdelo adecuadamente para su futuro uso.

No coloque la aspiradora cerca de un fuego u otra instalación de alta temperatura.

No utilice ni almacene la máquina en condiciones extremadamente malas, por ejemplo, con temperaturas extremas. Se recomienda utilizarlo en interiores a una temperatura entre 5 °C y 40 °C. Guarde la máquina en un lugar seco y evite la luz solar directa.

Cargue completamente la batería antes de usarla por primera vez o después de un largo almacenamiento.

Antes de utilizar la aspiradora, asegúrese de que el rodillo del cepillo está montado, de lo contrario puede provocar que el ventilador del motor se atasque y el motor falle.

Por favor, no utilice la aspiradora para aspirar detergente, aceite, escorias de vidrio, agujas, cenizas de cigarrillos, polvo húmedo, agua, cerillas, etc.

No utilice la aspiradora para recoger partículas pequeñas como cemento, polvo de yeso, polvo de pared u objetos grandes como bolas de papel, ya que de lo contrario se producirán averías como bloqueos y fallos del motor.

Evite bloquear la entrada de aire o la escobilla, ya que esto puede hacer que el motor falle.

No ponga la mano o el pie en la entrada del cabezal del suelo para evitar lesiones.

No vierta ni salpique agua u otros líquidos en la máquina para evitar que se produzca un cortocircuito y se queme la máquina.

Si el cepillo no funciona, compruebe que no esté enredado en pelos u otras fibras largas y límpialo a tiempo.

Si la máquina va a estar almacenada durante mucho tiempo, asegúrese de que la batería está completamente cargada antes de almacenarla y cargue la máquina al menos cada tres meses.

Desenchufe el cargador para limpiar o reparar la máquina. Sujeta el cargador cuando lo enchufes o desenchufes y no tires del cable de carga.

Utilice un paño seco para limpiar la máquina. Los líquidos como la gasolina, el alcohol o el disolvente de lacas pueden provocar grietas o decoloración y no deben utilizarse.

Si la máquina no funciona después de ser cargada completamente, debe ser revisada y reparada en nuestra oficina designada, por favor no desmonte la máquina por usted mismo. La máquina desechada contiene pilas. Deben reciclarse de forma segura. No los tire al azar.

Si el cable de alimentación está dañado, para evitar peligros, debe ser sustituido o reparado por el fabricante, repair o un profesional.

Este aparato puede ser utilizado por niños a partir de 8 años y por personas con capacidades físicas, sensoriales o mentales reducidas o con falta de experiencia y conocimientos si han recibido supervisión o instrucciones sobre el uso seguro del aparato y si comprenden los riesgos que conlleva.

La unidad sólo debe utilizarse con la fuente de alimentación suministrada.

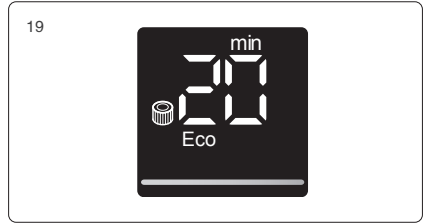
Resolución de problemas

Por favor, compruebe los siguientes puntos antes de enviar la unidad al agente de reparación designado.

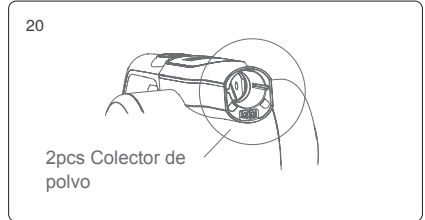
Problemas	Posibles causas	Soluciones
El motor no funciona	La batería no está alimentada	Cargue la aspiradora
	El tubo metálico, el cabezal del suelo, el paquete de baterías y la aspiradora no están montados correctamente.	Compruebe que los accesorios están correctamente montados en la aspiradora
Gotas de succión	Taza de polvo completa	Limpie el recogedor
	Filtro bloqueado	Limpie o sustituya el filtro
	Flujo de aire del cabezal del suelo bloqueado	Limpie el paso de aire del cabezal del suelo
Corto tiempo de trabajo después de la carga	La máquina no está completamente cargada	Siga el manual de instrucciones para cargar completamente el paquete de baterías
	Envejecimiento de la batería	Las baterías nuevas pueden adquirirse en un distribuidor local
La luz de nivel de polvo de la pantalla LED está siempre en rojo	Sensor polvoriento	Limpie el polvo del colector de polvo en la entrada de aspiración de la aspiradora de mano

Advertencia

1. Cuando el paso de aire o el filtro HEPA están obstruidos o el depósito de polvo está lleno, aparecerá un icono recordatorio de limpieza HEPA en la pantalla LED. Si la máquina está trabajando en modo Max, cambiará a modo Eco automáticamente hasta que se limpie la obstrucción.



2. Cuando el rodillo de cepillado está enredado por objetos extraños, para continuar utilizando el producto se activará la protección contra el bloqueo del rodillo de cepillado. La pantalla LED mostrará F0 y el producto dejará de funcionar hasta que se limpie el cepillo.



3. Si la luz de nivel de polvo en la pantalla está siempre en rojo, el sensor de polvo podría estar cubierto de polvo, así que por favor limpie el polvo en el sensor de polvo que se encuentra en la entrada de succión de la aspiradora de mano.

4. Cuando hay piezas eléctricas defectuosas que necesitan orientación profesional postventa o reparación, la pantalla muestra el código de fallo F0-F9 como se muestra a continuación como recordatorio de fallo, por favor póngase en contacto con el personal postventa de su agente local y proporcione el código de error.

Los defectos de F0 a F9 son los siguientes:

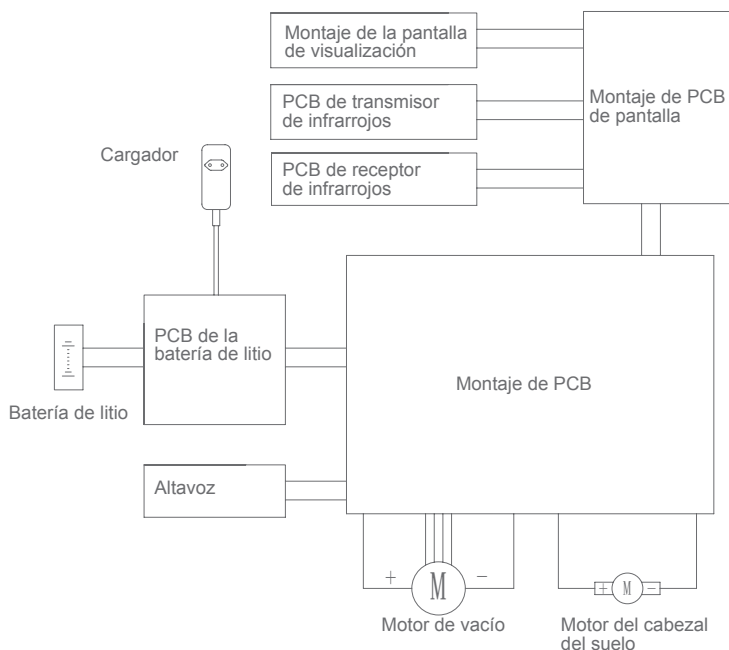
Código	Defecto	Soluciones
F0	Rodillos del cepillo enredados en objetos extraños y atascados	Limpie el cepillo del rodillo para eliminar objetos extraños
F1	La tira de níquel de la batería está rota	Sustituir o reparar la batería
F2	Fallo del cargador	Sustituir el cargador
F3	Cortocircuito del motor en vacío	Sustituir el motor de aspiración
F4	Defecto de los componentes de la batería	Sustituir o reparar la batería
F5	2ª protección contra sobrecorriente para motor de vacío	Sustituir el motor de vacío
F6	1ª protección contra sobrecorriente para motor de vacío	Sustituir el motor de vacío
F7	Fallo en la placa de circuito impreso o cable suelto en la placa de circuito impreso	Sustituir la placa de circuito impreso o el cable de la placa de circuito impreso
F8	Anomalía NTC en la batería	Apague la batería y espere a que se enfríe antes de volver a encenderla. Si sigue apareciendo este código de error, sustituya la batería
F9	Cortocircuito en el motor de la escobilla	Sustituir el cabezal del suelo

Precaución: Si se producen otras averías que requieren herramientas profesionales, para evitar cualquier peligro, la máquina debe ser reparada o sustituida por el fabricante, otras oficinas de mantenimiento o profesionales de oficinas similares.

Especificaciones técnicas

Número de modelo	H10 Flex
Tensión nominal	28.8V---
Potencia nominal	650W
Tensión de entrada del adaptador	100-240V ~ 50/60 Hz 0.8A
Tensión de salida del adaptador	34.2V--- 0.6A
Cabezal Eléctrico de Suelo No.	T-EB110VA
Potencia nominal del cabezal de suelo eléctrico	50W
Capacidad de la batería	3000mAh
Capacidad de la batería	5h

Esquema del circuito



Información del fabricante

Fabricante	Kingclean Electric Co, Ltd
Dirección	No.1 Xiangyang road, Suzhou New District, provincia de Jiangsu, 215009, China



Eliminación

La máquina, los accesorios y el embalaje deben clasificarse para su reciclaje ecológico.



No tire la máquina a la basura doméstica!

Sólo para los países de la CE:

De acuerdo con la directiva de la UE 2012/19/UE, las máquinas que ya no son utilizables y de acuerdo con la directiva de la UE 2006/66/CE, el paquete de baterías defectuoso o usado debe ser recogido por separado y eliminado de manera ecológica.

Paquete de baterías:

Las baterías incorporadas sólo pueden ser retiradas para su eliminación por personal cualificado.

Abrir la carcasa puede dañar o destruir la máquina.

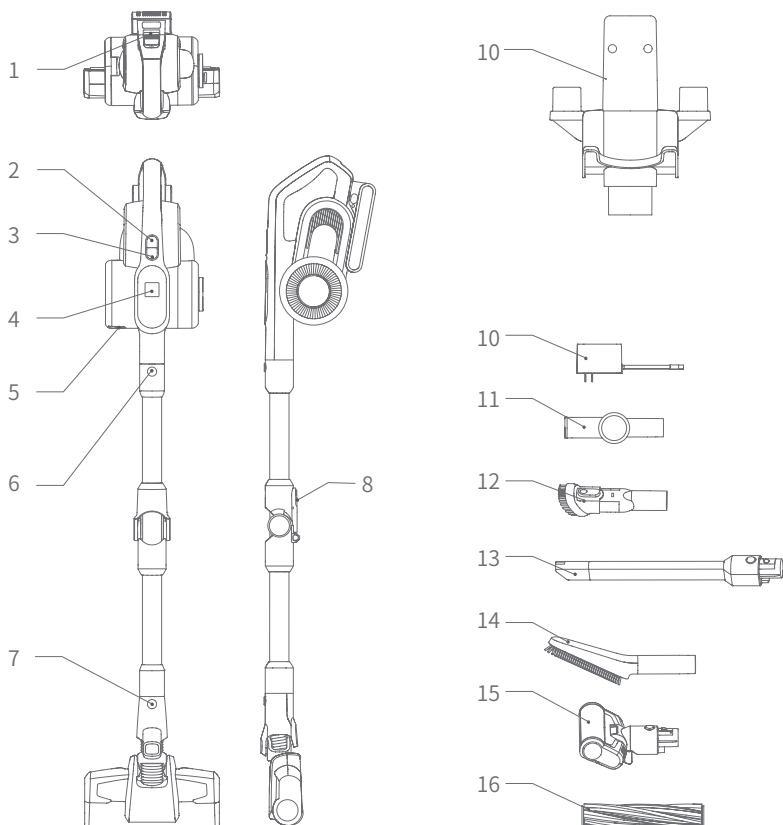
No tire las pilas/baterías a la basura doméstica, al fuego o al agua. Si es posible, el paquete de baterías o las baterías deben descargarse, recogerse, reciclarse o eliminarse de forma respetuosa con el medio ambiente.

Sujeto a cambios sin previo aviso. s.

Información sobre la garantía

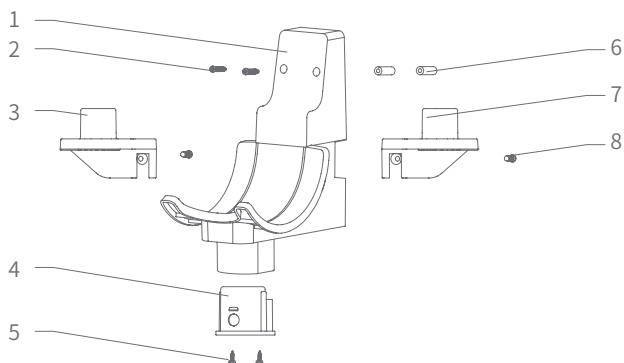
Este producto está cubierto por una garantía de dos años a partir de la fecha de compra. No cubre el desgaste normal, el uso comercial, las modificaciones realizadas en el equipo después de la compra, las actividades de limpieza, el mal uso, los daños causados por el comprador o por terceros, los daños debidos al entorno exterior.

Наименование деталей



- | | |
|--|---|
| 1. Кнопка разблокировки аккумуляторной батареи | 2. Переключатель Вкл./Выкл. |
| 3. Кнопка режима | 4. Светодиодный LED экран |
| 5. Кнопка разблокировки пылесборника | 6. Кнопка разблокировки металлической трубки |
| 7. Кнопка разблокировки насадки для пола | 8. Кнопка разблокировки изгиба металлической трубки |
| 9. Держатель | 10. Зарядное устройство |
| 11. Соединитель | 12. Насадка для мебели |
| 13. Насадка гибкая для узких мест | 14. Мягкая щетка |
| 15. Электрическая насадка для пола | 16. Щетка для ковров |

Наименование деталей держателя

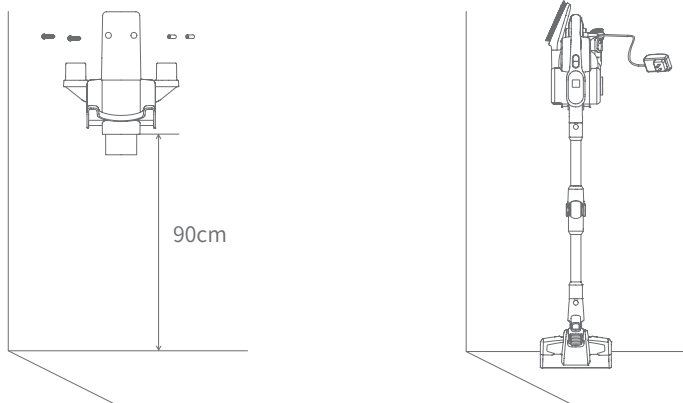


- | | |
|----------------------------------|------------------------------|
| 1.Основной корпус держателя | 2.Винты ST4-32 *2 |
| 3.Правая боковая часть держателя | 4.Держатель насадки для пола |
| 5.Винты ST3-12 *2 | 6.Дюбели |
| 7.Левая боковая часть держателя | 8.Винты ST4-16 *2 |

Монтаж держателя

- 1.Установите левый и правый боковые части держателя аксессуаров на зарядный держатель, затем закрепите держатели аксессуаров винтом.
- 2.Поместите пылесос в держатель и прислоните пылесос к стене, установите держатель так, чтобы головка пылесоса касалась пола, рекомендуемая высота 90 см. Снимите ручной пылесос, установите дюбели в стене и прикрепите держатель, затем зафиксируйте винтами.
- 3.После завершения сборки поместите пылесос в держатель зарядного устройства для зарядки или хранения.

Внимание: Не устанавливайте держатель в стене ванной комнаты или в другом влажном помещении.



Комплектация

Название детали	Ручной пылесос	Электрическая насадка для пола	Гибкая металлическая трубка	Аккумуляторная батарея
Количество	1	1	1	1
Название детали	Насадка гибкая для узких мест	Мягкая щетка	Соединитель	Насадка для мебели
Количество	1	1	1	1
Название детали	Щетка для ковров	Зарядное устройство	Электрическая щетка для матраса	Держатель основного устройства
Количество	1	1	1	1
Название детали	Левая боковая часть держателя	Правая боковая часть держателя	Комплект для монтажа	Руководство пользователя
Количество	1	1	1	1

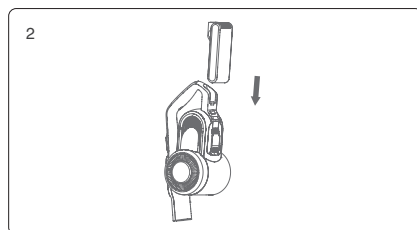
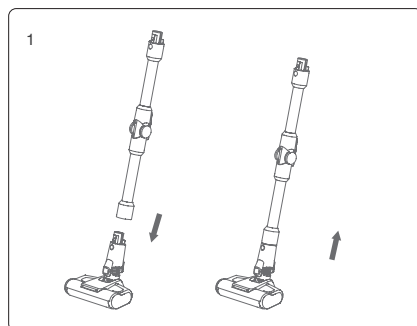
Монтаж устройства

Сборка и разборка электрической насадки для пола и металлической трубки

Удерживая насадку для пола левой рукой, правой рукой вставьте металлическую трубку вертикально в насадку для пола, нажимайте на трубку до тех пор, пока не услышите «щелчок».

Примечание: при сборке держите рукоятку и напольную щетку в одном направлении, и вставьте штифт в гнездо.

Если необходимо снять электрическую насадку для пола при упаковке, хранении или уборке, нажмите на кнопку разблокировки щетки и потяните металлическую трубку в направлении, показанном на рисунке, чтобы извлечь насадку для пола.



Монтаж аккумуляторной батареи и ручного пылесоса

Удерживая аккумулятор, совместите его с направляющим пазом на корпусе ручного пылесоса, перемещайте аккумулятор в направлении, показанном стрелкой на рисунке. После установки потяните аккумулятор, чтобы убедиться в плотности его посадки.

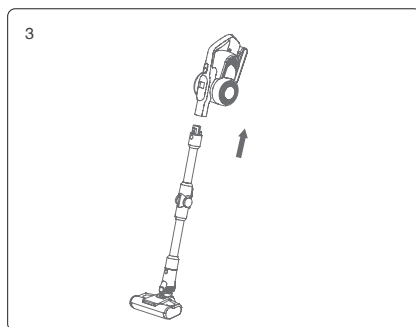
Примечание: Если пылесос не используется в течение длительного времени, извлеките аккумуляторную батарею, упакуйте пылесос и поместите на хранение в прохладное и сухое место, не допуская нахождения под прямыми солнечными лучами или во влажной среде.

Монтаж насадки для пола и металлической трубки с ручным пылесосом

Сначала соберите насадку для пола и металлическую трубку в соответствии с методом сборки электрической насадки для пола и металлической трубки.



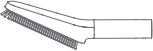
Затем, как показано стрелкой, совместите штифт металлической трубки с

всасывающим соплом ручного пылесоса, проталкивайте металлическую трубку вверх до тех пор, пока не услышите «щелчок».

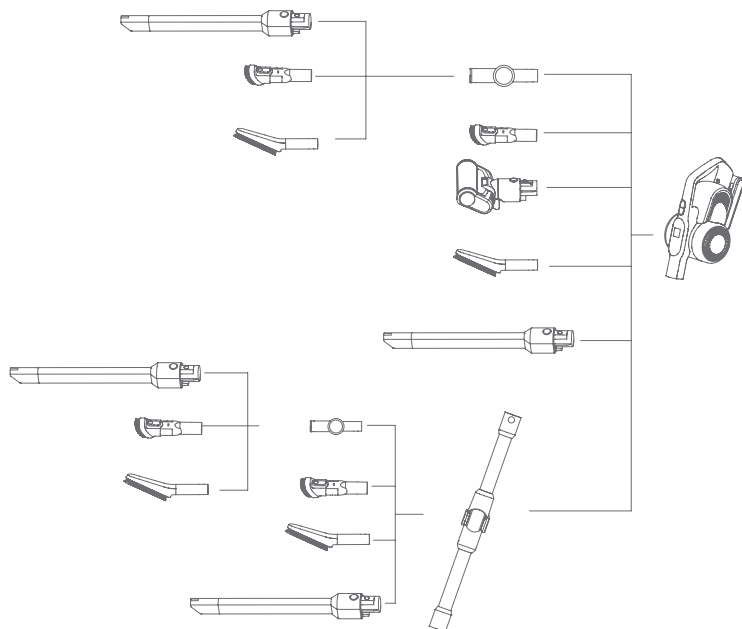


Подсоединение деталей

Для удобства использования данное устройство специально оснащено рядом насадок для ручного пылесоса. Если вы используете ручной пылесос отдельно, можно напрямую подсоединить насадки с учетом потребностей или подсоединить насадки через эластичный шланг.

Наименование	Модель	H10 Flex
Насадка для пола		
Насадка для мебели		
Насадка гибкая для узких мест		
Щетка для удаления пыли		
Соединитель		
Роликовая щетка		

Перечень подключения насадок



Использование пылесоса

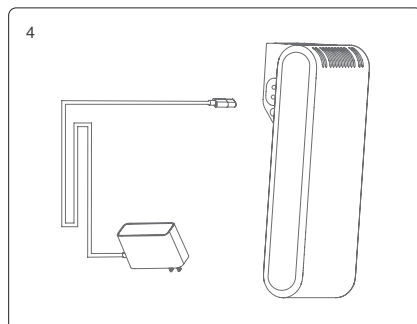
Зарядка

Примечание:

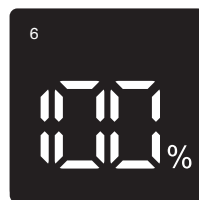
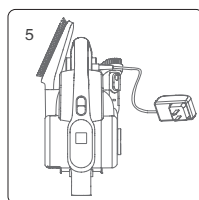
1. При первом использовании устройства аккумуляторная батарея заряжена не полностью. Перед использованием потребуется зарядка.
2. Если кабель питания поврежден, обратитесь к производителю-заводу, в сервисный центр или аналогичный отдел за профессиональной помощью.

Зарядку устройства можно выполнить двумя способами:

1. Зарядите аккумулятор отдельно: подключите один конец зарядного устройства к разъему аккумулятора, а другой конец зарядного устройства — к розетке, чтобы зарядить батарею напрямую. В этом случае во время зарядки на боковой стороне аккумулятора горит красный индикатор, после завершения зарядки цвет индикатора меняется на зеленый.

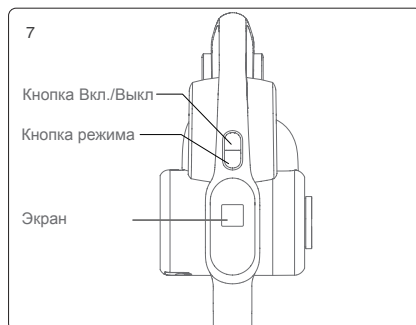


2. Зарядка аккумулятора на устройстве: подсоедините один конец зарядного устройства к разъему аккумулятора, а другой конец зарядного устройства — к розетке для зарядки аккумулятора, если в пылесосе имеется встроенный аккумулятор. На экране устройства отображается процент заряда аккумуляторной батареи. После завершения зарядки на экране отображается 100 %, как показано на рисунках.



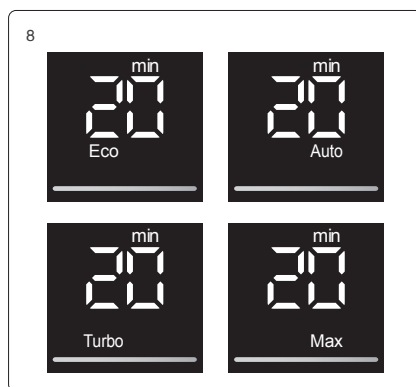
Примечание:

1. Когда уровень заряда батареи ниже $\leq 20\%$, если пылесос работает в максимальном режиме, он автоматически переключится в режим Eco. Когда заряд батареи полностью израсходуется, пылесос выключится.
2. Если пылесос не используется в течение длительного времени необходимо заряжать батарею, по крайней мере, через каждые три месяца, чтобы не допустить ее выхода из строя.



Использование ручного пылесоса и отображение информации на экране

Для запуска или остановки пылесоса снимите его с держателя и нажмите кнопку включения/выключения. Кнопка режима позволяет настроить рабочий режим. Когда устройство включено, оно работает в режиме «Auto», нажмите кнопку режима для переключения режима в последовательности «Turbo» - «Max» - «Eco» - «Auto». При переключении режима соответствующий режим отображается на экране, также предусмотрено голосовое предупредительное сообщение.



На LED экране отображается оставшееся время работы устройства в текущем режиме. При переключении режима оставшееся время работы изменяется соответствующим образом.

Когда устройство работает в режиме «Max», а заряд батареи становится меньше 20 %, то для увеличения времени работы устройства оно автоматически переключается из режима «Max» в режим «Eco». После зарядки аккумулятора до мощности более 20 % устройство может работать в режиме «Max».

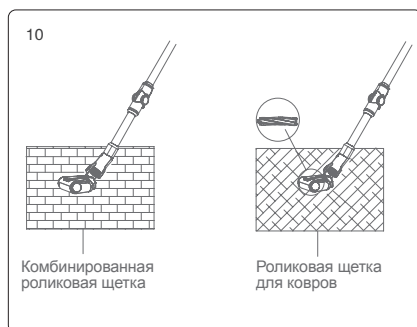
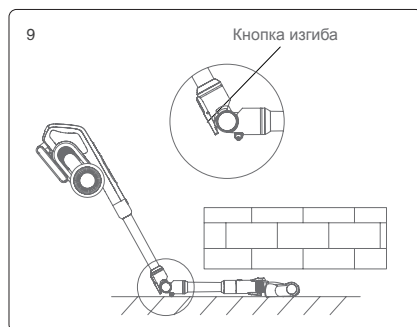
Когда устройство работает в режиме «Auto», оно регулирует рабочую мощность в зависимости от содержания пыли и типа напольного покрытия, определенного устройством, чтобы обеспечить более высокую эффективность уборки. В режиме «Auto»

на LED экране отображается «Auto», независимо от уровня рабочей мощности.

Изделие оснащено датчиком уровня заполняемости пылесборника. В нижней части LED экрана имеется световая полоска для отображения содержания пыли. По мере уменьшения содержания пыли от высокого к низкому - красный цвет уменьшается, а синий - увеличивается. Когда полоска полностью высветится синим цветом, очищаемая поверхность будет чистой. Чистоту очищаемой поверхности можно визуальнo отобразить с помощью светодиодного экрана.

Использование гибкой металлической трубки

Гибкая металлическая трубка может использоваться в двух режимах: вертикальное положение и изгиб. Вертикальное положение эквивалентно обычной металлической трубке. Режим изгиба трубки можно использовать для уборки под диваном, столом, кроватью и т.д. Если необходим режим изгиба трубки, нажмите кнопку разблокировки, после этого можно задать угол изгиба металлической трубки в пределах 0-90°.



Использование электрической насадки для пола

Электрическая насадка для пола подходит для очистки всех видов напольных покрытий, таких как твердое напольное покрытие, плитка, ковер и т.д. В комплект поставки входит дополнительная щетка для ковров, которую можно заменить на насадку для глубокой очистки ковров.

Примечание: Если во время работы электрической насадки для пола происходит всасывание большого количества посторонних частиц или наматывается слишком много волокон, или если ребенок, играя с пылесосом случайно засунет руку в сопло, что приведет к нештатной остановке роликовой щетки, электрическая насадка для пола прекратит работу, чтобы обеспечить личную безопасность и защиту двигателя щетки.

Использование насадок

Насадка гибкая для узких мест: данную насадку можно согнуть под любым углом, головка оснащена светодиодной подсветкой, подходящей для очистки щелей, углов дверей и окон, узких щелей и других труднодоступных углов.

Насадка для мебели: подходит для чистки шкафа, подоконника, поверхности дивана и стола.

Электрическая щетка для матраса: подходит для дивана и матраса. Роликовая щетка уничтожает и затем удаляет пылевых клещей и аллергены из глубины дивана или кровати.

Соединитель: можно подсоединять к другим насадкам и сгибать под разным углом для уборки пыли, скапливающейся сверху на высоких шкафах или пыли на крыше.

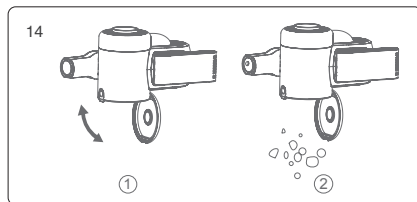
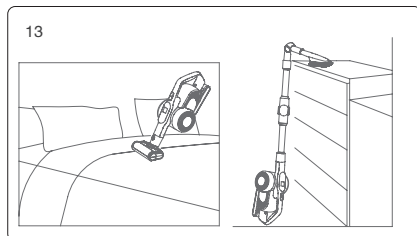
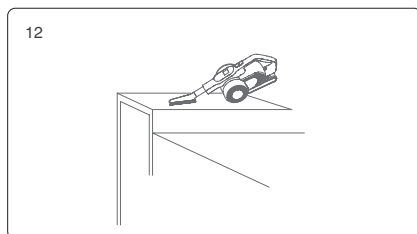
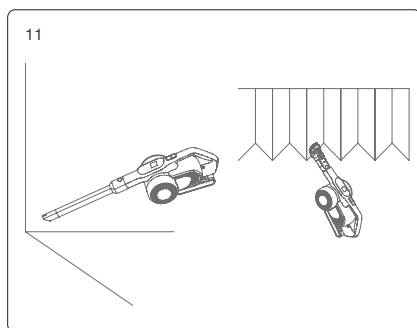
Очистка и замена деталей

Примечание:

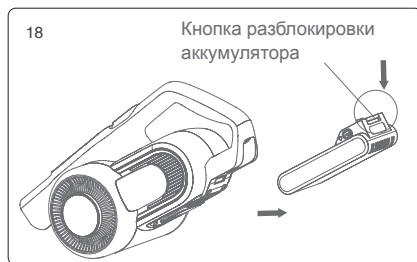
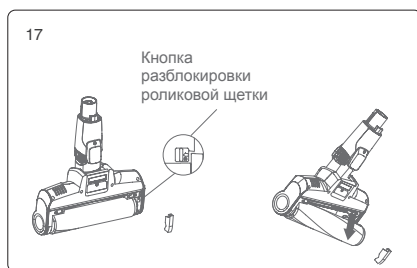
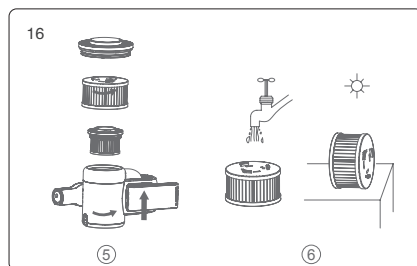
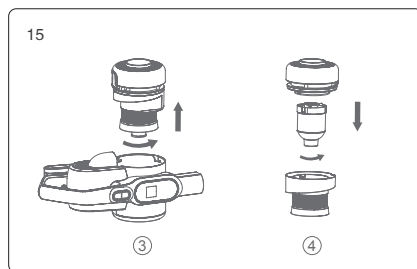
1. Фильтр HEPA можно приобрести у местных дистрибьюторов пылесосов.
2. Рекомендуется очищать пылесборник после каждого использования; при заполнении пылесборника или засорении фильтра HEPA, его необходимо очистить и при необходимости заменить. После длительного использования на роликовую щетку электрической насадки для пола могут наматываться волосы. Чтобы пылесос работал более эффективно, необходимо своевременно производить его очистку.

Очистка пылесборника и фильтров

1. Нажмите на нижнюю крышку пылесборника, чтобы открыть пылесборник. Рис. ①
2. Высыпьте пыль в мусорное ведро. Рис. ②



3. Удерживая крышку пылесборника и поворачивая ее против часовой стрелки, извлеките циклон из пылесборника для очистки. Рис. ③
4. Поверните циклон против часовой стрелки и разберите, чтобы выполнить его очистку. Рис. ④
5. Удерживая крышку фильтра HEPA, поверните ее против часовой стрелки, снимите фильтр HEPA с верхней крышки, а затем поверните крышку HEPA, чтобы снять фильтр HEPA с крышки для последующей очистки. Рис. ⑤
6. Если требуется промывка фильтра HEPA, удерживайте фильтр HEPA и, поворачивая по часовой стрелке, снимите с крышки фильтра HEPA для промывки. Перед повторным использованием фильтр HEPA должен полностью просохнуть. Рис. ⑥
7. После очистки снова соберите детали в последовательности, обратной разборке.



Очистка роликовой щетки

1. Переместите кнопку разблокировки роликовой щетки вдоль направления стрелки, чтобы снять крышку роликовой щетки.
2. Снимите один конец роликовой щетки и извлеките ее из насадки для очистки.
3. После очистки или замены роликовой щетки снова соберите ее в последовательности, обратной разборке.

Хранение пылесоса

Разборка аккумуляторной батареи

Нажмите кнопку разблокировки аккумулятора, извлеките аккумулятор и поместите ее в пластиковый пакет. Аккумулятор необходимо хранить в сухом месте.

Хранение устройства

Если пылесос не используется в течение длительного времени, извлеките аккумуляторную батарею, упакуйте пылесос и поместите на хранение в прохладное и сухое место, не располагайте под прямыми солнечными лучами или во влажной среде.

Требования по технике безопасности

Данный пылесос предназначен для применения в домашних условиях. Пожалуйста, не используйте его в коммерческих или других целях.

Прежде, чем использовать данный пылесос, внимательно ознакомьтесь с руководством пользователя. Сохраните его для дальнейшего ознакомления.

Не размещайте пылесос близко к огню или другим нагревательным приборам.

Не используйте и не храните пылесос при экстремальных неблагоприятных условиях, например, при экстремальной температуре. Рекомендуется использовать пылесос в помещении при температуре от 5 °C до 40 °C. Храните устройство в сухом месте и не допускайте попадания прямых солнечных лучей.

Полностью заряжайте аккумуляторную батарею перед первым использованием или после длительного хранения.

Перед использованием пылесоса убедитесь в том, что роликовая щетка собрана, в противном случае это может привести к засорению вентилятора двигателя, что приведет к перегоранию двигателя.

Не используйте пылесос для всасывания моющих средств, масла, осколков стекла, иголок, пепла от сигарет, влажной пыли, воды, спичек и других предметов.

Не используйте пылесос для всасывания мелких частиц, таких как цемент, гипсовый порошок, строительный порошок или крупных предметов, например, шариков из бумаги, в противном случае это приведет к таким неисправностям, как засорение и перегорание двигателя.

Не допускайте засорения всасывающего отверстия или роликовой щетки, так как это может привести к отказу двигателя.

Для предотвращения травмирования не допускайте попадания руки или ноги во всасывающее отверстие.

Не наливайте и не впрыскивайте воду или другие жидкости внутрь пылесоса, чтобы не допустить короткого замыкания и прекращения работы пылесоса.

Если роликовая щетка не работает, убедитесь в том, что на нее не намотались волосы или другие длинные волокна, своевременно очищайте щетку.

Если пылесос не будет использоваться в течение длительного времени, перед тем как поместить его на хранение необходимо убедиться в полной зарядке аккумуляторной батареи. Пылесос необходимо заряжать не реже одного раза в три месяца.

Отключите зарядное устройство от сети на время очистки или ремонта устройства. Держите вилку зарядного устройства при подключении или отключении от сети и не тяните за зарядный шнур.

Для очистки пылесоса используйте сухую ткань. Не используйте такие жидкости, как бензин, спирт, растворитель лака, так как это может привести к появлению трещин или обесцвечиванию.

Если после полной зарядки пылесос не работает, обращайтесь в авторизованный центр нашей компании, не разбирайте устройство самостоятельно.

В отработанном пылесосе содержится батарея. Ее следует утилизировать безопасным способом. Утилизация произвольным способом не допускается.

При наличии повреждений шнура питания, для предотвращения несчастного случая, необходимо обратиться к производителю, сервисный центр или к специалисту для замены или ремонта.

Данный пылесос может использоваться детьми в возрасте от 8 лет и старше, а также лицами с ограниченными физическими, сенсорными или умственными способностями, или не обладающими достаточным опытом и знаниями в том случае, если они прошли инструктаж или получили указания по использованию пылесоса безопасным образом и осознают опасности, связанные с использованием данного устройства.

Данный пылесос можно использовать только с зарядным устройством, входящим в комплект поставки.

Транспортируйте устройство только в его оригинальной упаковке.

Не транспортируйте устройство при температуре выше 50 °C или ниже 0 °C .

Поиск и устранение неисправностей

Пожалуйста, ознакомьтесь с приведенными ниже описаниями неисправностей и их способами устранения перед обращением в сервисный центр.

Неисправность	Возможные причины	Способы устранения
Двигатель не работает	Батарея не заряжена	Зарядите пылесос
	Металлическая трубка, напольная щетка, аккумуляторная батарея и пылесос собраны неправильно	Проверьте правильность подключения насадок к пылесосу
Уменьшение мощности всасывания	Пылесборник заполнен	Выполните очистку пылесборника
	Фильтр засорен	Очистите или замените фильтр
	Воздушный канал насадки для пола закупорен	Выполните очистку воздушного канала насадки для пола

Неисправность	Возможные причины	Способы устранения
Короткое время работы после зарядки	Неполная зарядка устройства	Следуйте указаниям Руководства пользователя для полной зарядки батареи
	Истечение срока службы батареи	Новые аккумуляторы можно приобрести у местного дистрибьютора
Индикатор уровня пыли на светодиодном экране всегда горит красным	Датчик уровня содержания пыли загрязнен	Удалите пыль на датчике уровня содержания пыли, который находится на всасывающем отверстии ручного пылесоса

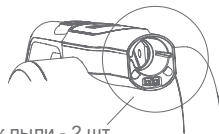
Предупредительное сообщение

1. Когда воздушный канал или фильтр HEPA засорены или пылесборник заполнен, на светодиодном LED экране появится значок, напоминающий об очистке HEPA. Если пылесос работает в максимальном режиме, он автоматически переключится в экономичный режим до тех пор, пока засор не будет устранен.
2. Если в щеточный валик попали посторонние предметы, продолжайте использовать продукт, это активирует защиту от засорения щеточного валика. На светодиодном LED экране отобразится F0, и устройство перестанет работать до тех пор, пока валик щетки не будет очищен.
3. Если индикатор уровня пыли на экране всегда горит красным, возможно, датчик покрыт пылью, пожалуйста, очистите от пыли датчик, который расположен на всасывающем отверстии ручного пылесоса.
4. При обнаружении дефекта электрических компонентов, для инструктажа или ремонта которого требуется специалист по послепродажному обслуживанию, на экране появится предупреждение о дефекте с кодом ошибки от F0 до F9. Пожалуйста, свяжитесь со специалистами послепродажного обслуживания и укажите код ошибки.

19



20



Датчик пыли - 2 шт

Ниже представлены ошибки под кодом F0 - F9.

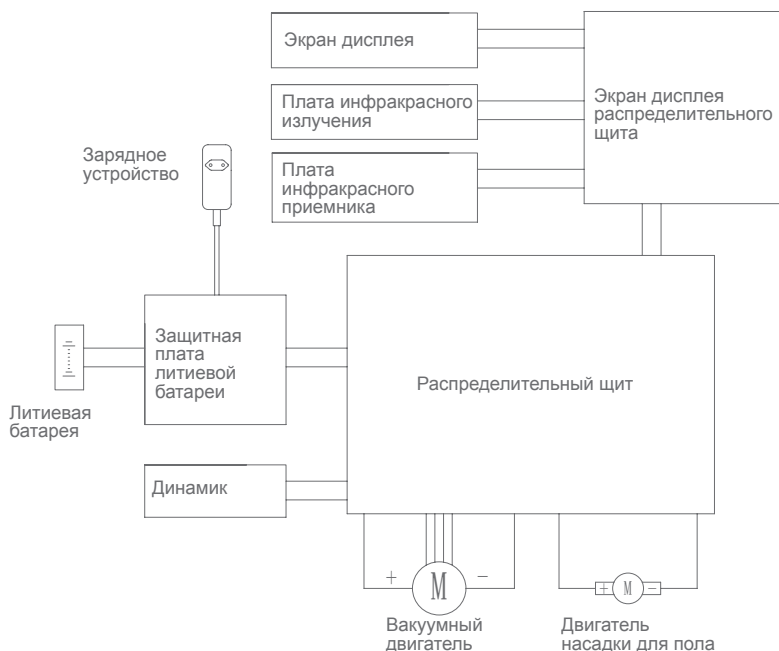
Код	Неисправность	Способы устранения
F0	Щеточный валик не функционирует	Очистите щеточный валик от посторонних предметов
F1	Повреждена никелевая полоска аккумулятора	Замените или отремонтируйте аккумулятор
F2	Неисправность зарядного устройства	Замените зарядное устройство
F3	Короткое замыкание вакуумного двигателя	Замените вакуумный двигатель
F4	Неисправность элемента аккумулятора	Замените или отремонтируйте аккумулятор
F5	Вторичная защита вакуумного мотора от перегрузки по току	Замените вакуумный мотор
F6	Первичная защита вакуумного мотора от перегрузки по току	Замените вакуумный мотор
F7	Дефект печатной платы или ослаблен подводящий провод печатной платы	Замените печатную плату или ослаблен подводящий провод печатной платы
F8	Аккумуляторная батарея функционирует нестандартно	Выключите пылесос и снова включите его после того, как аккумуляторная батарея остынет Если код ошибки все еще отображается, замените аккумуляторную батарею
F9	Короткое замыкание двигателя щеточного валика	Замените щеточный валик

Примечание: В случае возникновения каких-либо иных неисправностей, для устранения которых требуется профессиональный инструмент, в целях предупреждения опасности, потребует обратиться для проведения ремонта или замены к производителю, в другие сервисные центры или к специалистам из аналогичных служб.

Технические характеристики

Модель	H10 Flex
Номинальное напряжение	28.8 В
Номинальная мощность	650 Вт
Входное напряжение адаптера	100-240 В ~ 50/60 Гц 0,8 А
Выходное напряжение адаптера	34.2 В / 0.6А
Модель электрической насадки для пола	T-EB110VA
Номинальная мощность электрической насадки для пола	50 Вт
Емкость аккумуляторной батареи	3000 мА·ч
Время зарядки	5 ч

Монтажная схема



Информация о производителе

Производитель	Кингклин Электрик Ко., Лтд
Адрес	№1, Сянян Роуд, Нью Дистрикт, Сучжоу, Цзянсу Провинс, Китай



Утилизация

Во избежание нанесения вреда окружающей среде или здоровью человека от неконтролируемого выброса отходов, устройство необходимо утилизировать отдельно от других отходов и надлежащим образом переработать для повторного использования.



Отработанные приборы не должны выбрасываться совместно с бытовыми отходами!

Только для стран-членов ЕС:

В соответствии с Европейской директивой 2012/19/EU отслужившие приборы и в соответствии с Европейской директивой 2006/66/ЕС поврежденные либо отработанные аккумуляторные батареи / батарейки необходимо собирать отдельно и утилизировать без ущерба для окружающей среды.

Аккумуляторные батареи/батарейки :

Интегрированные аккумуляторные батареи разрешается извлекать для утилизации только квалифицированным персоналом.

Вскрытие корпуса чревато повреждением или разрушением прибора. Не выбрасывайте аккумуляторные батареи/батарейки в бытовой мусор, огонь или воду. Аккумуляторные батареи/батарейки следует собирать по возможности в разряженном состоянии для вторичной переработки или утилизации экологически безопасным образом.

Возможно внесение изменений без уведомления.

Информация о гарантии

Гарантийный срок на изделие составляет 1 (один) год с даты покупки.

Срок службы изделия составляет 5 (пять) лет с даты покупки.

Гарантия не предоставляется в случае естественного износа, использования в коммерческих целях, изменений первоначального состояния прибора, работ по очистке, при последствиях ненадлежащего обращения или повреждении покупателем, или третьими лицами, повреждении, вызванными внешними обстоятельствами.

Как узнать дату производства из серийного номера

Этикетка с серийным номером размещается на упаковке устройства, а также на корпусе самого устройства. Дата производства закодирована в его серийном номере.

Чтобы расшифровать дату производства, ознакомьтесь с примером серийного номера, который показан ниже:



Дата производства состоит из первых 3 символов: первый символ – год, второй символ – месяц, третий символ – день.

DBP800547

D – год

B – месяц

P – день

8 – производственная линия

00547 – собственно серийный номер устройства

В нашем примере дата производства 23 ноября 2019 года.

Воспользуйтесь информацией, приведенной в таблице ниже для расшифровки даты производства данного устройства.

Год		Месяц		Дата			
Год	Символ	Месяц	Символ	Дата	Символ	Дата	Символ
2016	A	Январь	1	1	1	17	H
2017	B	Февраль	2	2	2	18	J
2018	C	Март	3	3	3	19	K
2019	D	Апрель	4	4	4	20	L
2020	E	Май	5	5	5	21	M
2021	F	Июнь	6	6	6	22	N
2022	G	Июль	7	7	7	23	P
2023	H	Август	8	8	8	24	Q
2024	J	Сентябрь	9	9	9	25	R
2025	K	Октябрь	A	10	A	26	S
2026	L	Ноябрь	B	11	B	27	T
2027	M	Декабрь	C	12	C	28	U
2028	N			13	D	29	V
2029	P			14	E	30	W
2030	Q			15	F	31	X
2031	R			16	G		

Сделано в Китае

Товар сертифицирован



JIMMY



Contact us -we'll get back within 1 business day.



Web:www.jimmyglobal.com
Email:support@jimmyglobal.com